

Date:	Approved:
Type:	
Luminaire:	
Project:	

## eCOVELINE WD-E



The **eCOVELINE WD-E** luminaire provides a smooth dim-to-warm effect for lighting applications requiring the option to provide warm lighting in a versatile cove luminaire. **eCOVELINE WD-E** comes in a 1 ft or 4 ft nominal length. The housing is constructed of extruded aluminum with tooled end caps and is IP43 rated for dry or damp use only. Features Plug N' Play connectors for easy installation. ECVLWD-E has a unique dimming feature that allows a standard ELV reverse phase dimmer to change the LED color temperature as the luminaire is dimmed from 3500K to 2200K.



### SPECIFICATIONS

#### PHYSICAL

<b>beam spread</b>	60°, 120°
<b>LEDs per foot</b>	28 per foot
<b>lengths/dimensions</b>	11.9" x 1.65" x 1.75", 46.8" x 1.65" x 1.75"
<b>mounting</b>	standard: surface mount bracket with (+/- 15° from center), optional ADB2 full 180° rotation (+/- 90° from center)
<b>housing</b>	extruded aluminum housing with tooled end caps
<b>lens</b>	etched polycarbonate
<b>ingress protection</b>	damp and dry interior locations IP43 rated
<b>luminaire connections</b>	daisy chain with male and female, 3-PIN, plug-n-play connectors
<b>minimum run length</b>	6' (33W)
<b>weight</b>	1 foot (1 lbs), 4 foot (4 lbs)

#### PERFORMANCE

<b>color temperature</b>	3500K, dim to 2200K
<b>lumen output [ all on ]</b>	185 lm/ft, 600 lm/ft
<b>lumen maintenance</b>	L70 ≥ 70,000 hours
<b>temperature</b>	operating: -4°F to 104°F (-20°C to 40°C), start up: -4°F to 104°F (-20°C to 40°C), storage: -40°F to 176°F (-40°C to 80°C)
<b>color consistency</b>	3-Step MacAdam Ellipse / standard: CRI ≥ 80 CRI
<b>warranty</b>	5 year limited warranty

#### ELETRICAL

<b>input voltage</b>	120 VAC
<b>power supply</b>	integral Class II, electronic high-power factor 94% @ 120V
<b>interface</b>	dimnable to warm 2200K, 3% full brightness, (ELV) electronic low-voltage reverse phase, synchronized w/ soft shut-off
<b>certification</b>	ETL/cETL Listed
<b>standards</b>	UL 1598, CSA C22.2 No. 250.0 -UL8750, cSA22.2 No 250.13, IES LM 70/LM 80
<b>power consumption</b>	1 ft @ full power (5.5W), 4 ft @ full power (22W)
<b>dimming interface</b>	ELV (reverse phase) dimming < 3%

# Ordering Information

## eCOVELINE WD-E



### PART NUMBERS

<b>ECVLWD-E</b>		<b>22/35</b>		
-----------------	--	--------------	--	--

MODEL	LENGTH	CCT	OPTICS	OPTIONS
<b>ECVLWD-E</b> eCOVELINE Warm/Dim ELV <i>NOTE: 120V Only</i>	<b>1</b> 12 in. [305 mm] <b>4</b> 46.8 in. [1219 mm]	<b>22/35</b> 2200K - 3500K	<b>60</b> 60° x 60° beam <b>120</b> 120° x 120° beam	<b>CVLLMB-1</b> coveline louver (1ft) <b>CVLLMB-4</b> coveline louver (4ft) <b>DVL-1</b> direct view lens (1ft) <b>DVL-4</b> direct view lens (4ft) <b>DVL-ENDCAP</b> direct view lens end cap (pair) <i>must have 1 pair for every DVL</i>

### Cable Accessories (Indicate the quantity needed for each item.)

**REQUIRED:** Starter Cable (SC6) and Terminator Cap (TCAP) for every run. **Maximum Run Length** = 120 feet / **Minimum Run Length** = 6 feet (33W)

- \_\_\_\_\_ **SC6** 6 ft. Starter Connection Cord
- \_\_\_\_\_ **TCAP** Terminator Cap
- \_\_\_\_\_ **EC06** 6 in. Extension Cord
- \_\_\_\_\_ **EC12** 12 in. Extension Cord
- \_\_\_\_\_ **EC24** 24 in. Extension Cord
- \_\_\_\_\_ **EC60** 60 in. Extension Cord

### Mounting Options (Indicate the quantity needed for each item.)

- \_\_\_\_\_ **ADB2** +/- 90° Adjustable Bracket
- \_\_\_\_\_ **CA2/6** Cantilever Arm - 6"
- \_\_\_\_\_ **CA2/12** Cantilever Arm - 12"
- \_\_\_\_\_ **CA2/18** Cantilever Arm - 18"

### Use Module Only to Convert 0-10V Signal to ELV Dimming

DIMO-10VELV is a dimming module that converts a 0-10V dimming signal to an ELV (electronic low-voltage) reverse phase dimming signal for ELV dimmable lighting products.

### Control Components (Indicate the quantity needed for each item.) (1 module per run) (Indoor rated)

**REQUIRED:** Starter Cable (SC6) and Terminator Cap (TCAP) for every run.

- \_\_\_\_\_ **DIMO-10VELV-UNV-OJBM-IJBM-BLA** 0-10V ELV Dim Module, Output Junction Box Mount (12" lead wire), Input Junction Box Mount (12" lead wire), Interior Rated Enclosure, Black Anodized Alum.
- \_\_\_\_\_ **DIMO-10VELV-UNV-OCPPM-ICPPM-BLA** 0-10V ELV Dim Module, Output Conduit Pipe Mount (96" lead wire), Input Conduit Pipe Mount (96" lead wire), Interior Rated Enclosure, Black Anodized Alum.

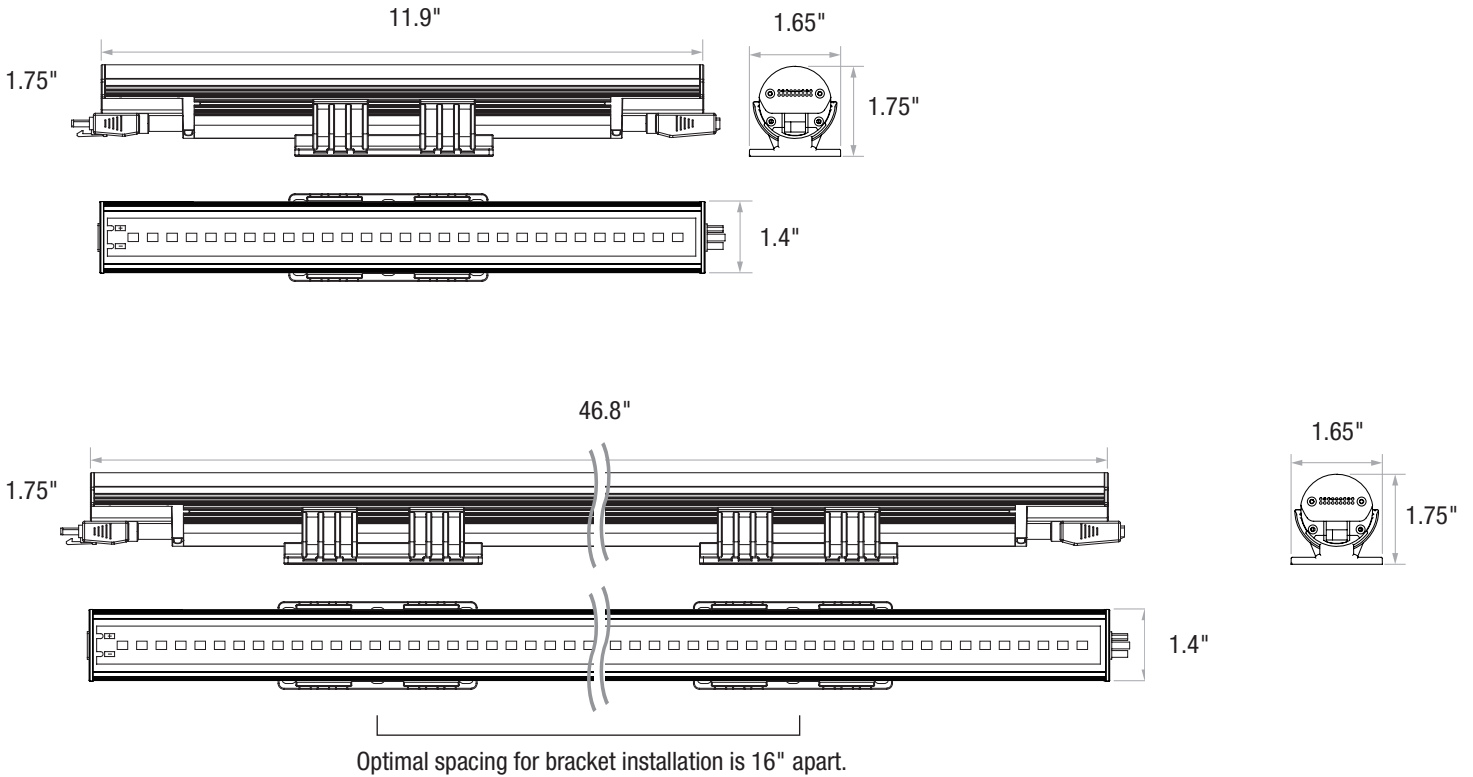
**REQUIRED:** Extension Cord (ECXX) XX=06, 12, 24, or 60 Inch Lengths (Pick Length to use based on 1st luminaire to DIMO-10VELV unit distance) and Terminator Cap (TCAP) for every run.

- \_\_\_\_\_ **DIMO-10VELV-UNV-OSCM-IJBM-BLA** 0-10V ELV Dim Module, Output Starter Cord Mount (6" lead wire), Input Junction Box Mount (6" lead wire), Interior Rated Enclosure, Black Anodized Alum.

# Standard Dimensions eCOVELINE WD-E



## DIMENSIONS WITH STANDARD BRACKET



**TO PREVENT VOIDING THE WARRANTY, DO NOT INSTALL BRACKETS WITHIN 2" OF THE ENDS OF LUMINAIRE.**

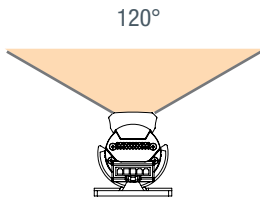
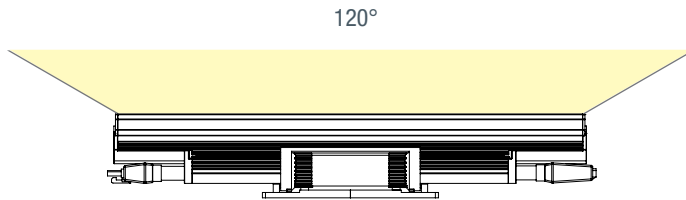
Due to continuous development and improvements, specifications are subject to change without notice. Product use certifies agreement to Solid State Luminaires terms and conditions.

# Photometry

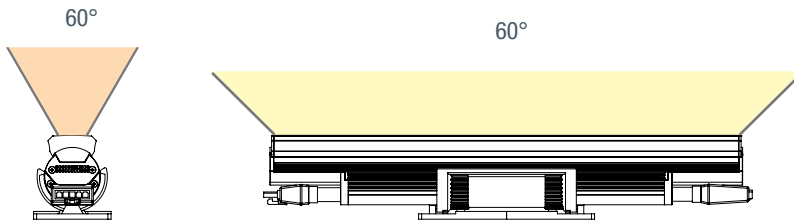
## eCOVELINE WD-E



ECVLWD-E 1FT 4K 120°



ECVLWD-E 1FT 4K 60°



### PERFORMANCE (Full On)

Model	Delivered Lumens	
	2200K	3500K
ECVLWD-E-1	185	600
ECVLWD-E-4	740	2400

Due to continuous development and improvements, specifications are subject to change without notice. Product use certifies agreement to Solid State Luminaires terms and conditions.

# Mounting Options

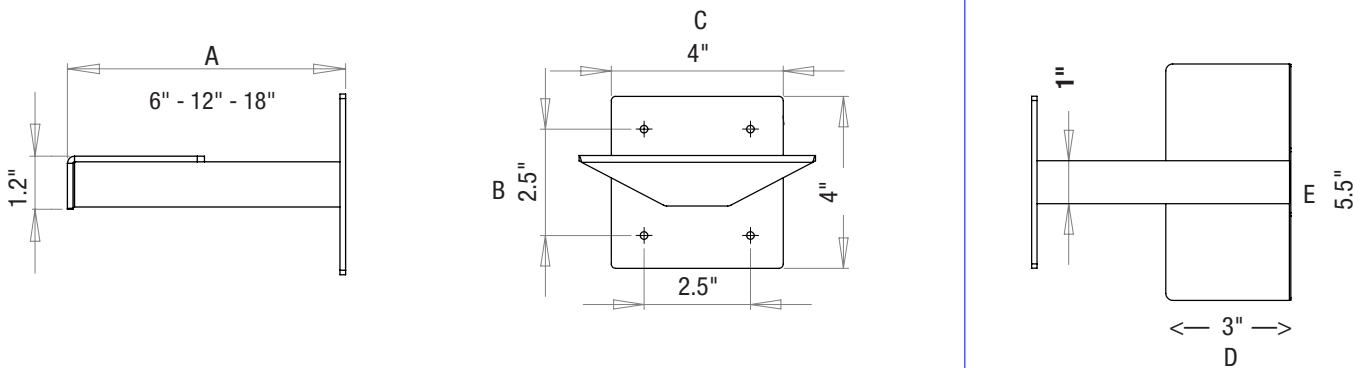
eCOVELINE WD-E



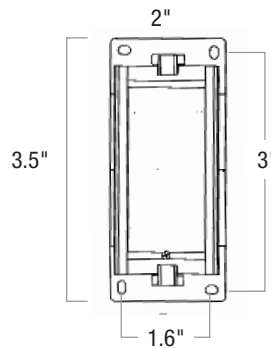
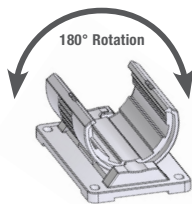
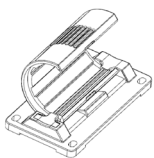
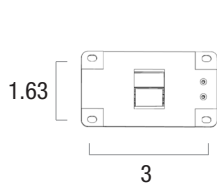
## CANTILEVER ARM - Available in 3 Lengths

CA2	(A) arm length	mounting height (B)	mounting width (C)	bracket plate length (D)	bracket plate width (E)
CA2/6	6"	4"	4"	3"	5.5"
CA2/12	12"				
CA2/18	18"				

ECVLWD-E	CA2 Requirement
1'	1
4'	2

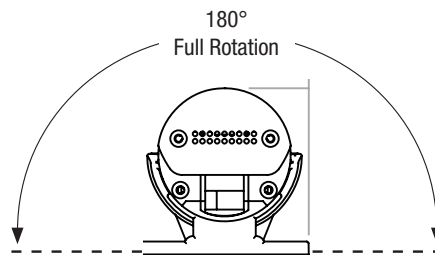


## OPTIONAL ADJUSTABLE BRACKET (ADB2)



### Optional ADB2: Multi-Directional.

- Adjusts +/-90°
- Mounts to horizontal or vertical surfaces
- Easy installation w/luminaire in position



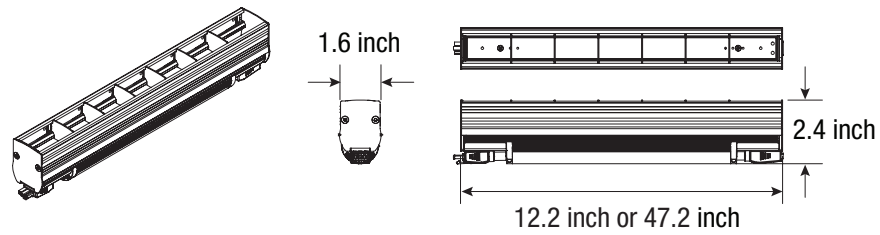
# Accessories

## eCOVELINE WD-E



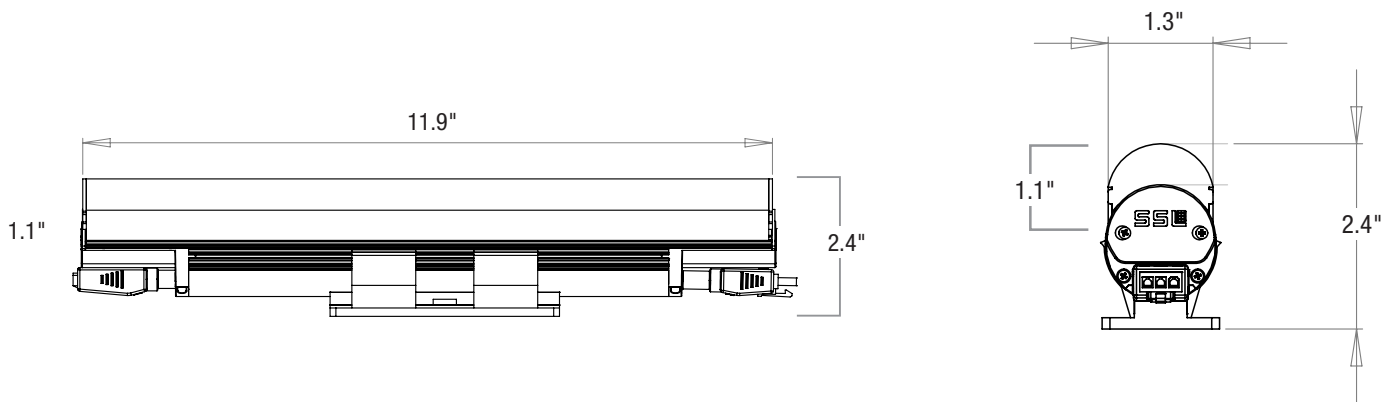
### LOUVER (BLACK) - CVLLMB

	1FT	4FT
<b>height</b>	2.4"	2.4"
<b>length</b>	12.2"	47.2"
<b>width</b>	1.6"	1.6"



### DIRECT DIFFUSER LENS - DVL

	1FT	4FT
<b>total height</b>	2.4"	2.4"
<b>diffuser height</b>	1.1"	1.1"
<b>length</b>	11.9"	46.8"
<b>width</b>	1.3"	1.3"



Due to continuous development and improvements, specifications are subject to change without notice. Product use certifies agreement to Solid State Luminaires terms and conditions.

# Connectivity Options

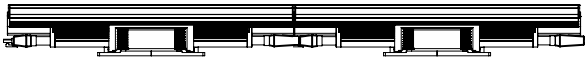
eCOVELINE WD-E



## CONNECTIONS & CABLES

**A:1**

H



Daisy Chain Luminaires (1')

**A1:** MIN/.5" - MAX/.8" between luminaires

**A4:** MIN/0" - MAX/.6" between luminaires

**B:** SC6 - 6ft Starter Cord

**C:** EC6 6 in. Extension Cord

**C:** EC12 12 in. Extension Cord

**C:** EC24 24 in. Extension Cord

**C:** EC60 60 in. Extension Cord

**D:** TCAP 1.13" Terminator Cap

**NOTE: 120V ONLY**

**A:4**

H



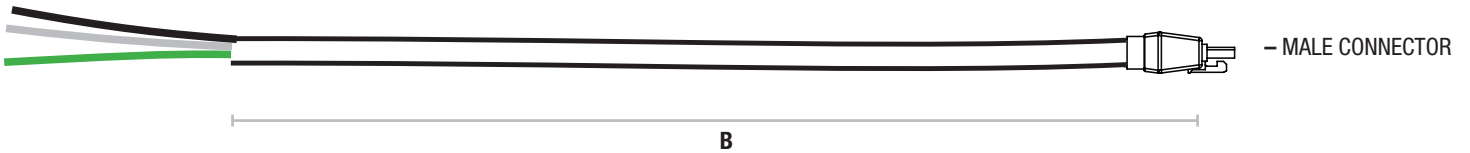
Daisy Chain Luminaires (4')

**NOTE:**

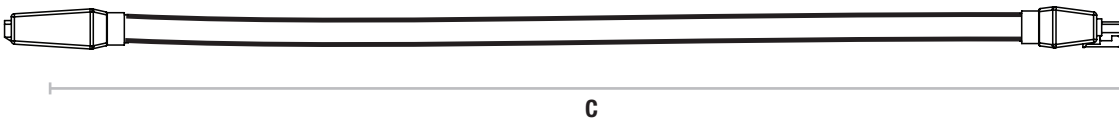
Minimum run length is 6 feet (33W)

**B: STARTER CABLES**

INSURE FIRST LUMINAIRE IS ORIENTED TO ACCEPT MALE CONNECTOR STARTER CABLE



**C: EXTENSION CABLES**



**D: TERMINATOR CAP  
TCAP**

**D**



# Control Components

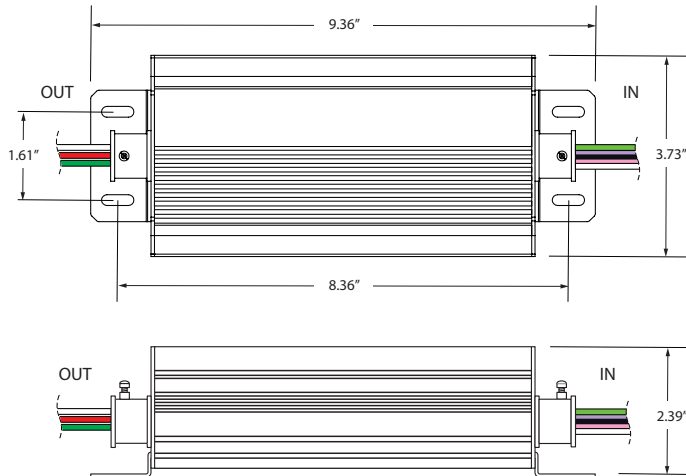
eCOVELINE WD-E



## OVERALL DIMENSIONS (DIMO-10VELV)

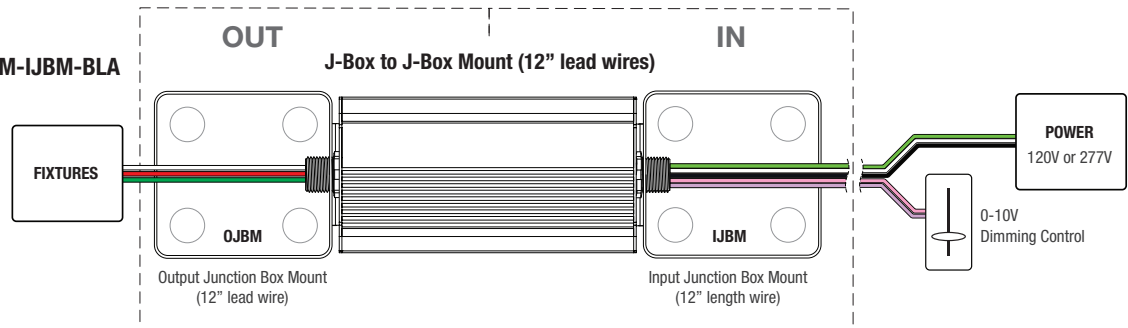
**Use Module Only to Convert 0-10V Signal to ELV Dimming**

Converts 0-10V signal for ELV Dimming protocol.

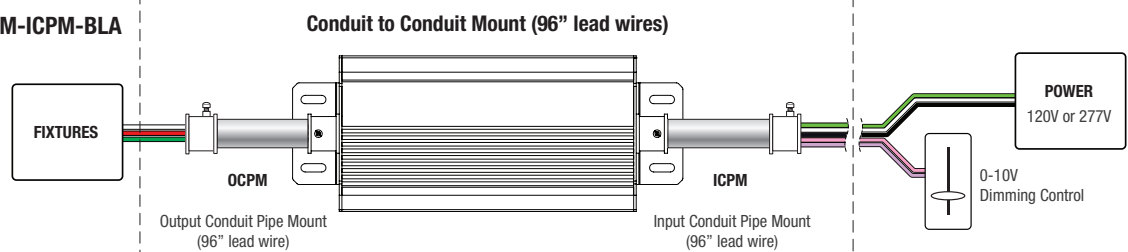


## CONNECTIVITY TYPES (DIMO-10VELV)

**DIMO-10VELV-UNV-OJBM-IJBM-BLA**



**DIMO-10VELV-UNV-OCPM-ICPM-BLA**



**DIMO-10VELV-UNV-OSCM-IJBM-BLA**

