

Date: _____ Approved: _____

Type: _____

Luminaire: _____

Project: _____

eCOVELINE XL



The **eCOVELINE XL** is a powerful and versatile cove luminaire with two optical solutions. **eCOVELINE XL** comes in a 1 ft or 4 ft nominal lengths and 24K, 27K, 3K, 35K or 4K color temperatures. The housing is constructed of extruded aluminum with tooled end caps and is IP20 rated for interior use only. It's Chicago Code Compliant meeting the standards for application use in Chicago, IL, and features Plug N' Play connectors for easy installation. Flicker free dimmable to 3% full brightness ELV reverse phase dimming.



QuickShip max order = 25 pcs

SPECIFICATIONS

PHYSICAL

beam spread	60°, 120°
LEDs per foot	14 per foot
mounting	standard: surface mount bracket with (+/- 15° from center, optional: ADB2 full 180° rotation (+/- 90° from center)
housing	extruded aluminum housing with tooled end caps
lens	etched polycarbonate
ingress protection	dry interior locations IP20 rated
luminaire connections	daisy chain with male and female, 3-PIN, plug-n-play connectors, Chicago Code Compliant (CCC)
weight	1 foot (1 lbs), 4 foot (4 lbs)

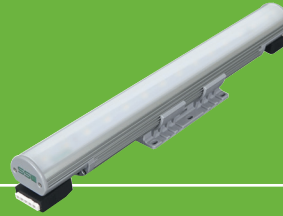
PERFORMANCE

color temperature	2400K, 2700K, 3000K, 3500K, 4000K
lumen output	388 lm/ft, 581 lm/ft, 604 lm/ft, 628 lm/ft, 653 lm/ft
lumen maintenance	L70 ≥ 70,000 hours
temperature	operating: -4°F to 104°F (-20°C to 40°C), start up: -4°F to 104°F (-20°C to 40°C), storage: -40°F to 176°F (-40°C to 80°C)
color consistency	3-Step MacAdam Ellipse, CRI ≥ 84 CRI
warranty	5 year limited warranty

ELECTRICAL

input voltage	Universal 120 - 277 VAC
power supply	integral Class II, electronic high-power factor 94% @ 120V
interface	dimmable to 3% full brightness, (ELV) electronic low-voltage reverse phase, synchronized w/ soft shut-off
certification	ETL/cETL Listed
standards	UL 1598, CSA C22.2 No. 250.0 - Class I, IES LM-79/LM-80
power consumption	1 ft @ full power (5.5W), 4 ft @ full power (22W)

Ordering Information





Select options next to clock symbol to qualify your order.

QuickShip max order = 25 pcs

PART NUMBERS

ECVLX		CCT		CRI80		OPTICS		OPTIONS	
MODEL	LENGTH			CRI					
<input checked="" type="checkbox"/> ECVLX eCOVELINE XL	<input checked="" type="checkbox"/> 1 12 in. [305 mm]	<input checked="" type="checkbox"/> 24K 2400K	<input checked="" type="checkbox"/> CRI80 84 CRI (standard)	<input checked="" type="checkbox"/> 60 60° x 60° beam	<input checked="" type="checkbox"/> CVLLMB-1 coveline louver (1ft)				
	<input checked="" type="checkbox"/> 4 46.8 in. [1219 mm]	<input checked="" type="checkbox"/> 27K 2700K		<input checked="" type="checkbox"/> 120 120° x 120° beam	<input checked="" type="checkbox"/> CVLLMB-4 coveline louver (4ft)				
		<input checked="" type="checkbox"/> 3K 3000K			<input checked="" type="checkbox"/> DVL-1 direct view lens (1ft)				
		<input checked="" type="checkbox"/> 35K 3500K			<input checked="" type="checkbox"/> DVL-4 direct view lens (4ft)				
		<input checked="" type="checkbox"/> 4K 4000K			<input checked="" type="checkbox"/> DVL-ENDCAP direct view lens end cap (pair) <i>must have 1 pair for every DVL</i>				

Cable Accessories (Indicate the quantity needed next to each item.)

REQUIRED: Starter Cable (SC6) and Terminator Cap (TCAP) for every run. **Maximum Run Length** = 80 feet

- _____ **SC6** 6 ft. Starter Connection Cord
- _____ **EC06** 6 in. Extension Cord
- _____ **TCAP** Terminator Cap
- _____ **EC12** 12 in. Extension Cord
- _____ **EC24** 24 in. Extension Cord
- _____ **EC60** 60 in. Extension Cord

Mounting Options (Indicate the quantity needed for each item.)

- _____ **ADB2** 180° Adjustable Bracket
- _____ **CA2-6** Cantilever Arm - 6"
- _____ **CA2-12** Cantilever Arm - 12"
- _____ **CA2-18** Cantilever Arm - 18"

Use Module Only to Convert 0-10V Signal to ELV Dimming

DIMO-10VELV is a dimming module that converts a 0-10V dimming signal to an ELV (electronic low-voltage) reverse phase dimming signal for ELV dimmable lighting products.

Control Components (Indicate the quantity needed for each item.) (1 module per run) (Indoor rated)

REQUIRED: Starter Cable (SC6) and Terminator Cap (TCAP) for every run.

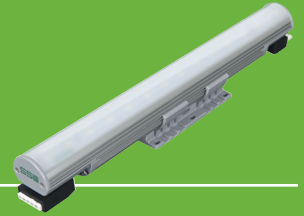
- _____ **DIMO-10VELV-UNV-OJBM-IJBM-BLA** 0-10V ELV Dim Module, Output Junction Box Mount (12" lead wire), Input Junction Box Mount (12" lead wire), Interior Rated Enclosure, Black Anodized Alum.
- _____ **DIMO-10VELV-UNV-OCPM-ICPM-BLA** 0-10V ELV Dim Module, Output Conduit Pipe Mount (96" lead wire), Input Conduit Pipe Mount (96" lead wire), Interior Rated Enclosure, Black Anodized Alum.

REQUIRED: Extension Cord (ECXX) XX=06, 12, 24, or 60 Inch Lengths (Pick Length to use based on 1st luminaire to DIMO-10VELV unit distance) and Terminator Cap (TCAP) for every run.

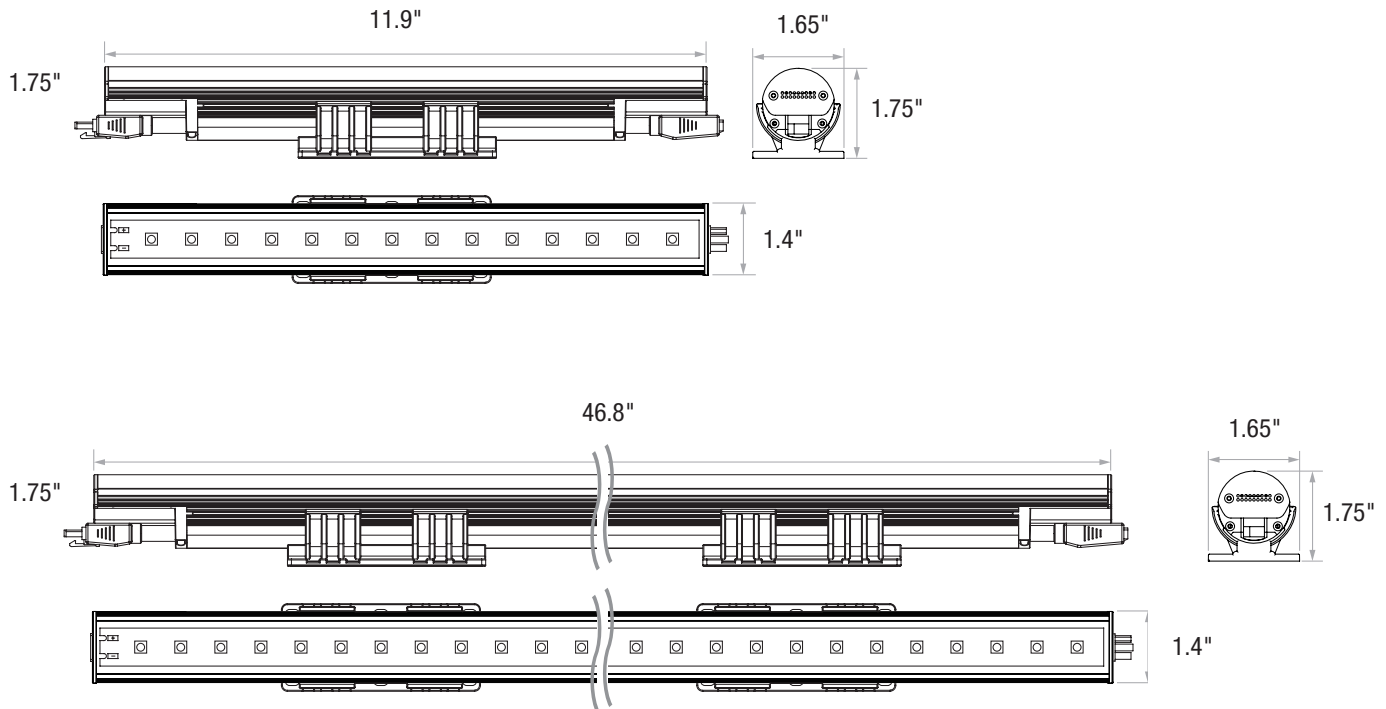
- _____ **DIMO-10VELV-UNV-OSCM-IJBM-BLA** 0-10V ELV Dim Module, Output Starter Cord Mount (6" lead wire), Input Junction Box Mount (6" lead wire), Interior Rated Enclosure, Black Anodized Alum.

Standard Dimensions

eCOVELINE XL



DIMENSIONS WITH STANDARD BRACKET

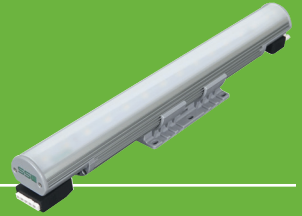


Optimal spacing for bracket installation is 16" apart.

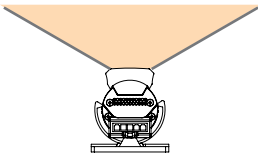
TO PREVENT VOIDING THE WARRANTY, DO NOT INSTALL BRACKETS WITHIN 2" OF THE ENDS OF LUMINAIRE.

Photometry

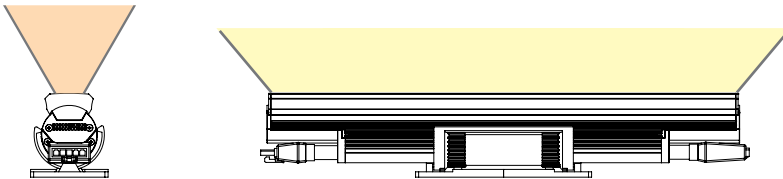
eCOVELINE XL



ECVLX 1FT 4K 120°



ECVLX 1FT 4K 60°



PERFORMANCE

Model	Delivered Lumens				
	2400K	2700K	3000K	3500K	4000K
ECVLX-1	388	581	604	628	653
ECVLX-4	1552	2324	2416	2512	2612

Due to continuous development and improvements, specifications are subject to change without notice.
Product use certifies agreement to Solid State Luminaires terms and conditions.



US Commercial Lighting Manufacturer Since 1982

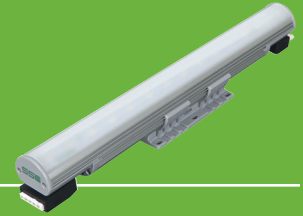
© Solid State Luminaires

3609 Swenson Ave • St. Charles, IL • 60174 | solidstateluminaires.com | 800.900.1730

TG-DM-010325

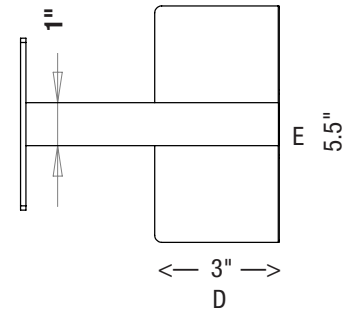
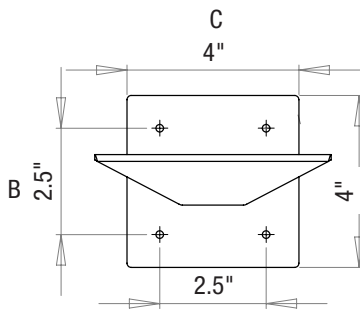
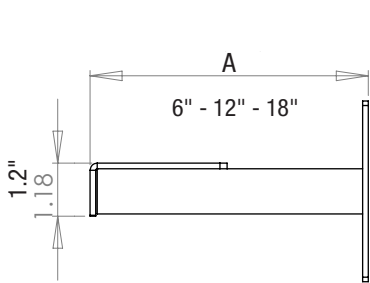
Mounting Options

eCOVELINE XL

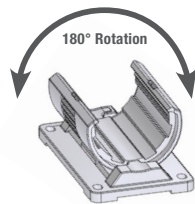
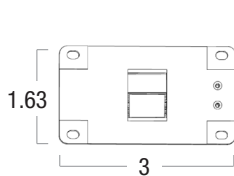


CANTILEVER ARM - Available in 3 Lengths

CA2	(A) arm length	mounting height (B)	mounting width (C)	bracket plate length (D)	bracket plate width (E)	ECVLX	CA2 Requirement
CA2-6	6"	4"	4"	3"	5.5"	1'	1
CA2-12	12"					4'	2
CA2-18	18"						

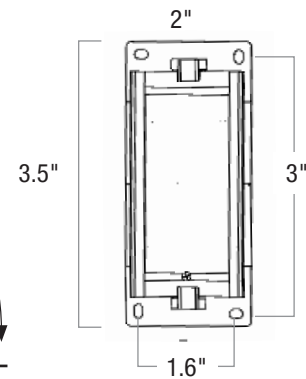
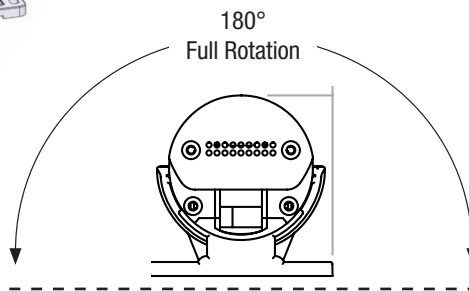
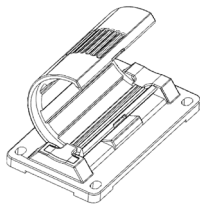


OPTIONAL ADJUSTABLE BRACKET (ADB2)



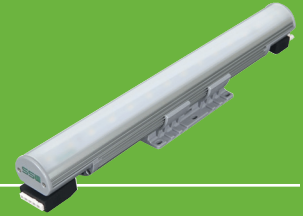
Multi-Directional.

- Adjusts +/-90°
- Mounts to horizontal or vertical surfaces
- Easy installation w/luminaire in position



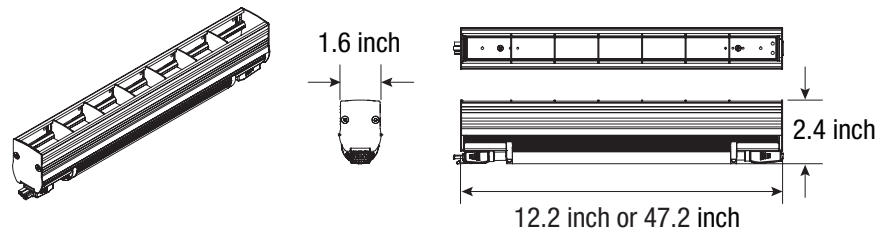
Accessories

eCOVELINE XL



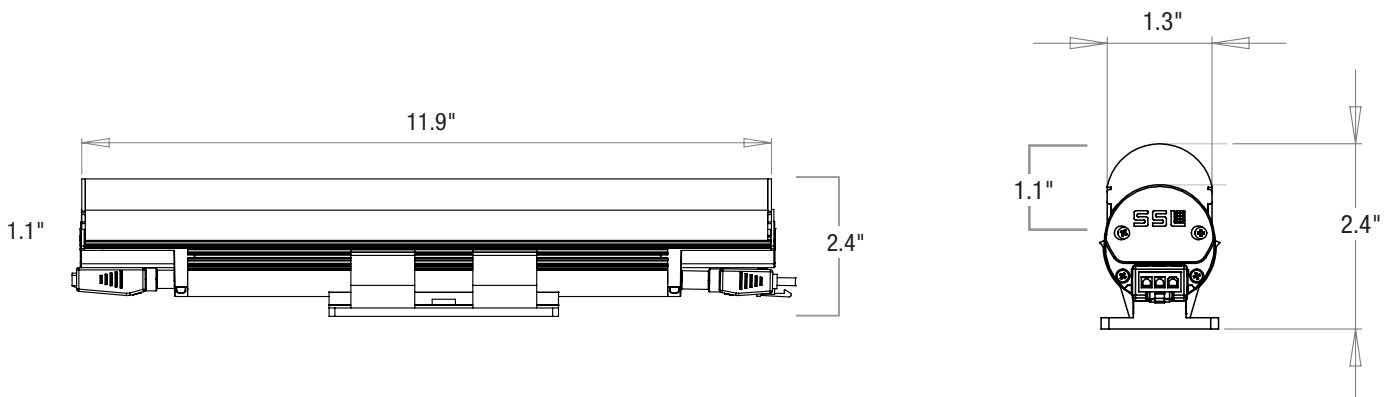
LOUVER (BLACK) - CVLLMB

	1FT	4FT
height	2.4"	2.4"
length	12.2"	47.2"
width	1.6"	1.6"



DIRECT DIFFUSER LENS - DVL

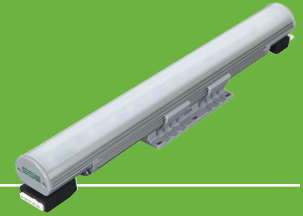
	1FT	4FT
total height	2.4"	2.4"
diffuser height	1.1"	1.1"
length	11.9"	46.8"
width	1.3"	1.3"



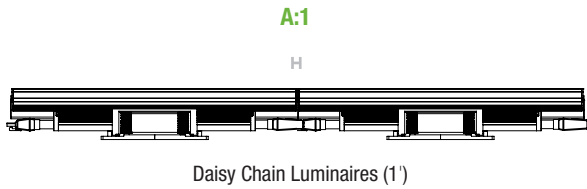
Due to continuous development and improvements, specifications are subject to change without notice.
Product use certifies agreement to Solid State Luminaires terms and conditions.

Connectivity Options

eCOVELINE XL



CONNECTIONS & CABLES



A1: MIN/.5" - MAX/.8" between luminaires

A4: MIN/0" - MAX/.6" between luminaires

B: SC6 - 6ft Starter Cord

C: EC6 6 in. Extension Cord

C: EC12 12 in. Extension Cord

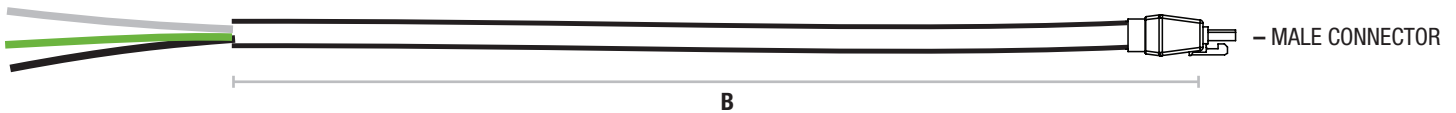
C: EC24 24 in. Extension Cord

C: EC60 60 in. Extension Cord

D: TCAP 1.13" Terminator Cap

B: STARTER CABLES

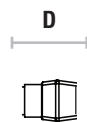
INSURE FIRST LUMINAIRE IS ORIENTED TO ACCEPT MALE CONNECTOR STARTER CABLE



C: EXTENSION CABLES

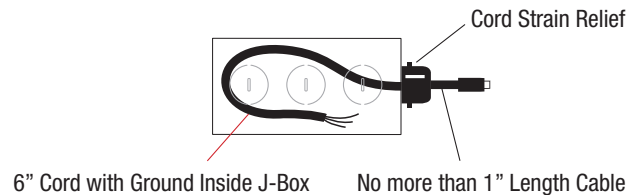


D: TERMINATOR CAP TCAP



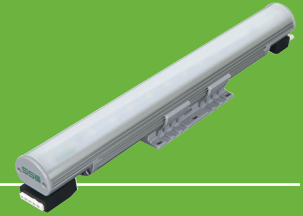
ECVLX features Chicago Code Compliant (CCC) connectors. See below for Starter Connection Cord (SC6) setup details.

Steel Junction Box Wiring for Sarter Connection Cord (SC6)



Control Components

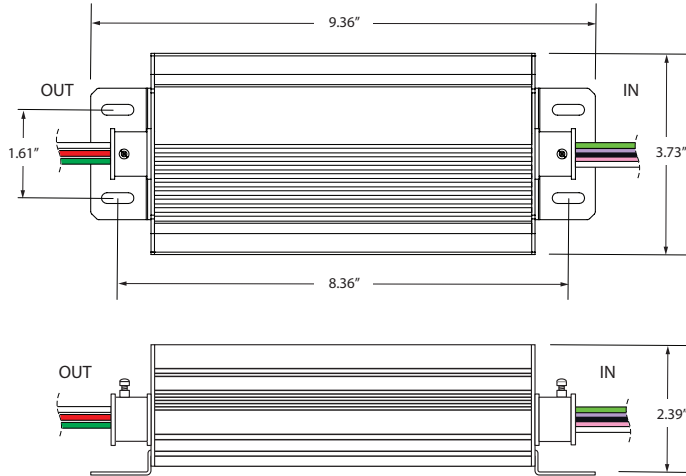
eCOVELINE XL



OVERALL DIMENSIONS (DIMO-10VELV)

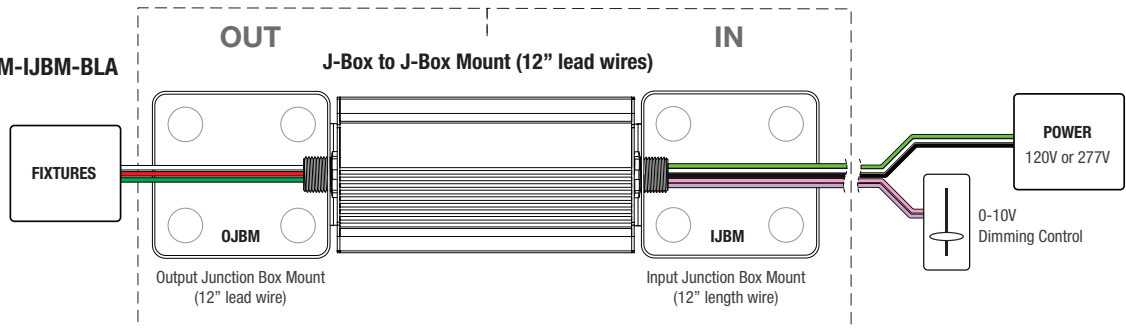
Use Module Only to Convert 0-10V Signal to ELV Dimming

Converts 0-10V signal for ELV Dimming protocol.

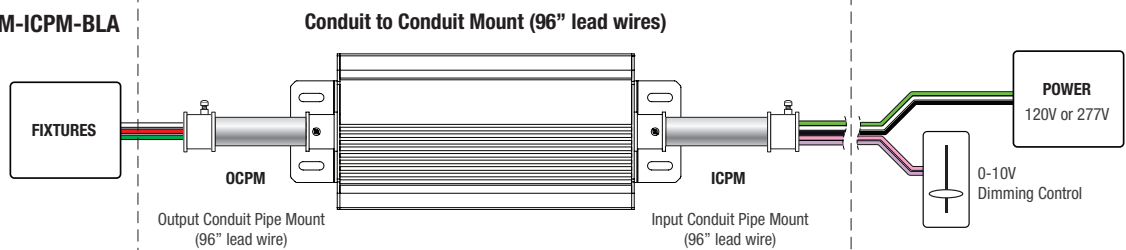


CONNECTIVITY TYPES (DIMO-10VELV)

DIMO-10VELV-UNV-OJBM-IJBM-BLA



DIMO-10VELV-UNV-OCPM-ICPM-BLA



DIMO-10VELV-UNV-OSCM-IJBM-BLA

