

LazerLine HC WET

High Candella Linear Outdoor



Select options next to clock symbol to qualify your order.

QuickShip max order = 25 pcs



FEATURES

- Up to 113,031 cd
- Up to 1175 lm/ft and 102 LPW
- Specification Grade Precision 7° x 7° Optic
- Multiple Outputs included ASHRAE Compliant
- Slim Form Factor with 90° Adjustable Bracket(s) Standard
- Unique Push locking waterproof connector system, IP68 rated
- 0-10V Dimmable, 1% Standard

PERFORMANCE

Beam Spread: 7° (Native Optic)
CCT Options: 3000K, 3500K, 4000K. *Minimum order volume required for other CCT/CRI combinations. Consult factory for details.
CRI: 83 CRI
Consistency: 2 SDCM (Luminaire to Luminaire)
Lumens: 1175 lm/ft (nominal)
Lifetime: > 70,000 hours / L90 or better

PHYSICAL

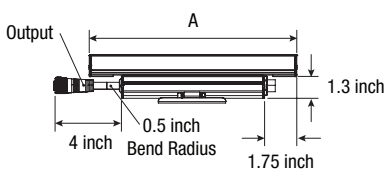
Mounting: Adjustable Bracket (90°), other options available
Housing: Extruded aluminum housing with injection molded end caps
Finish: Anodized Aluminum, Powder Coated Endcaps
Warranty: 5-Year limited warranty (refer to website for details)
Lens: IK08 impact compliant, Low iron tempered glass
Ingress Protection: IP66 wet, exterior location (Connectors IP68)
Vibration Resistance: Compliant with 3G ANSI C136.31
Weight: 1.3 lbs/ft
Operating Temperature: -4°F to 104°F (-20°C to 40°C)

ELECTRICAL

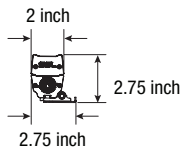
Voltage: Universal 120 – 277 VAC
Power Supply: Integral Class II, electronic high-power factor >0.94 @120V
Power Consumption: 12 W/ft (Max)
Dimming: LD 0-10V Dimming, 1% (Standard)
Certification: ETL / cETL wet location listed
Standards: cETLus Listed, CE, NOM.

PHYSICAL DIMENSIONS

Model	Length (A)
LZXWET-1	12.3 inch
LZXWET-4	48 inch



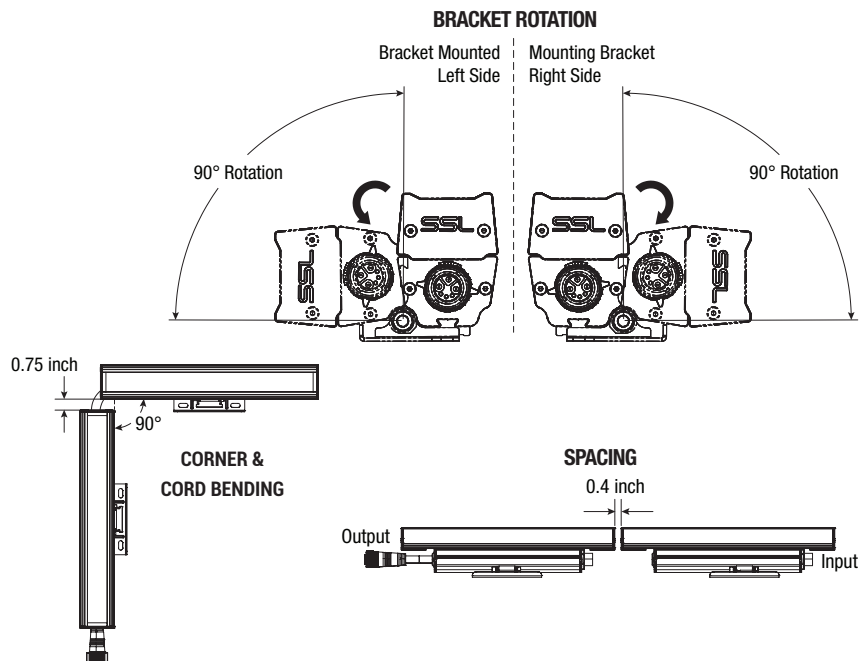
SIDE VIEW



END VIEW



TOP VIEW



Date: _____

Type: _____

Fixture: _____

Project: _____

Approved:

LazerLine HC WET

PRODUCT CODE

EXAMPLE: LZXWET-1-UNV-830-12L-7-LD

QuickShip max order = 25 pcs

Select options next to clock symbol to qualify your order.

MODEL	LENGTH	VOLTAGE	COLOR	LUMENS	OPTICS	DIMMING	OPTIONS
LZXWET		UNV				LD	
MODEL		VOLTAGE		LUMENS nominal		DIMMING	
☑ LZXWET		☑ UNV Universal 120 - 277 VAC		☑ 1 FT 1175 lm (12W) 1175 lm/ft		☑ LD 0-10V Dimming, 1% (Standard)	
LENGTH		CCT		☑ 08L 750 lm (8W) 750 lm/ft		OPTIONS	
☑ 1 12.3 in		☑ 830 (83CRI) 3000K		☑ 05L 500 lm (5W) 500 lm/ft*			
☑ 4 48 in		☑ 835 (83CRI) 3500K		4 FT			
		☑ 840 (83CRI) 4000K		☑ 47L 4700 lm (46W) 1175 lm/ft			
				☑ 30L 3000 lm (29W) 750 lm/ft			
				☑ 20L 2000 lm (20W) 500 lm/ft*			
				*ASHRAE Compliant			
				OPTICS nominal			
				☑ 7 7" x 7" Beam (Native Optic)			

ACCESSORIES (Order separately. Indicate the quantity needed for each item.) (See Page 6 for Maximum Run Lengths)
 (REQUIRED: Starter Connection Cord (SC05LZWET/ SC10LZWET) and Standard Terminator Cap (TCAPLZWET) for every run.)

____ SC05LZWET 5 ft. Starter Connection Cord	☑ ____ EC24LZWET 24 in. Extension Cord	____ LLZW-1 LZWET Louver*
☑ ____ SC10LZWET 10 ft. Starter Connection Cord	☑ ____ EC60LZWET 60 in. Extension Cord	____ LLZWS-1 LZWET Louver w/ House Shield*
☑ ____ TCAPLZWET Standard Terminator Cap		*One Louver per linear foot (Either LLZW-1 or LLZWS-1)
		Each LZXWET-1 requires 1 louver, Each LZXWET-4 requires 4 louvers

MOUNTING ACCESSORIES (Order separately.) (ADBW3 Bracket(s) Included with Luminaire.) (Requirements vary for each luminaire ordered. See mounting pages for details.)

____ CA3-6 Cantilever Arm - 6"	____ LS-6 Landscape Spike - 6"
____ CA3-12 Cantilever Arm - 12"	____ HLS Heavy Duty Landscape Spike
____ CA3-18 Cantilever Arm - 18"	

LazerLine HC WET

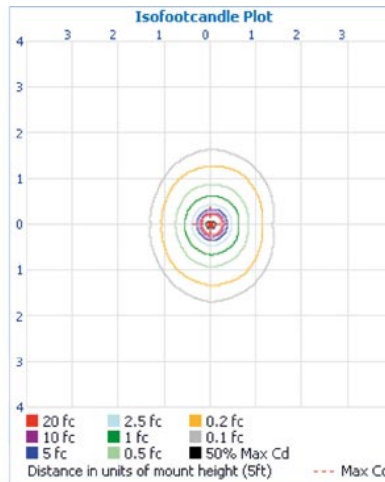
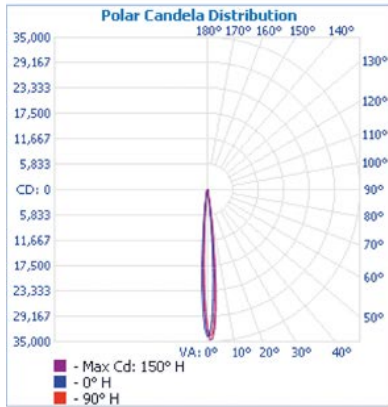
LUMENS

Model	Watts	LM79 Test Result @ Max Lumens
		840 (4000 Kelvin, CRI 83) Nominal
LZXWET-1	5W	500 lm/ft
	8W	750 lm/ft
	12W	1175 lm/ft
LZXWET-4	20W	500 lm/ft
	29W	750 lm/ft
	46W	1175 lm/ft

CCT Multiplier (CRI83)	
CCT	Multiplier
830 (3000K)	1.00
835 (3500K)	1.09
840 (4000K)	1.06

PHOTOMETRICS

LZXWET-1-UNV-830-12L-7-LD.ies



Zonal Lumen Summary

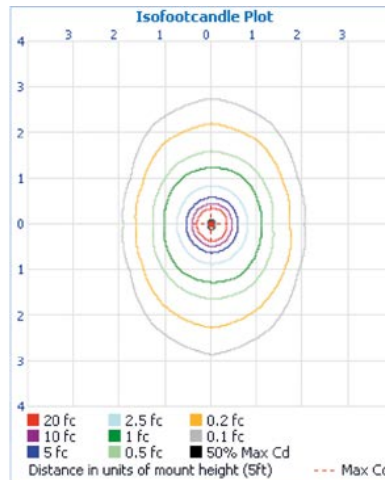
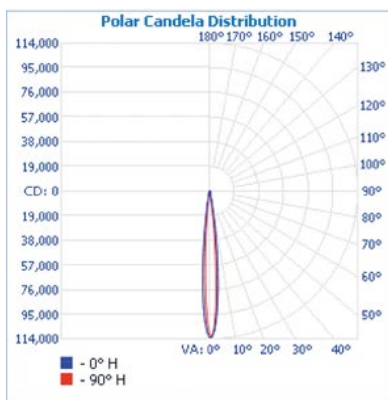
Zone	Lumens	% Lamp	% Luminaire
0-30	1,062.2	93.2%	93.8%
0-40	1,084.2	95.1%	95.8%
0-60	1,116.7	98%	98.6%
60-90	15.5	1.4%	1.4%
0-90	1,132.1	99.3%	100%

Illuminance at a Distance

	Center Beam fc	Beam Width
16.7R	121 fc	2.7 ft 2.5 ft
33.3R	30.5 fc	5.4 ft 5.0 ft
50.0R	13.5 fc	8.0 ft 7.5 ft
66.7R	7.60 fc	10.7 ft 9.9 ft
83.3R	4.87 fc	13.4 ft 12.4 ft
100.0R	3.38 fc	16.1 ft 14.9 ft

Vert. 7° x 7° Beam (Native Optic)
 Horiz.

LZXWET-4-UNV-830-47L-7-LD.ies



Zonal Lumen Summary

Zone	Lumens	% Lamp	% Luminaire
0-30	4,384.4	92.7%	93.2%
0-40	4,480.7	94.8%	95.3%
0-60	4,629.3	97.9%	98.5%
60-90	72.6	1.5%	1.5%
0-90	4,701.8	99.4%	100%

Illuminance at a Distance

	Center Beam fc	Beam Width
50.0R	45.2 fc	10.2 ft 7.4 ft
100.0R	11.3 fc	20.3 ft 14.8 ft
150.0R	5.02 fc	30.5 ft 22.2 ft
200.0R	2.83 fc	40.6 ft 29.6 ft
250.0R	1.81 fc	50.8 ft 37.0 ft
300.0R	1.26 fc	61.0 ft 44.5 ft

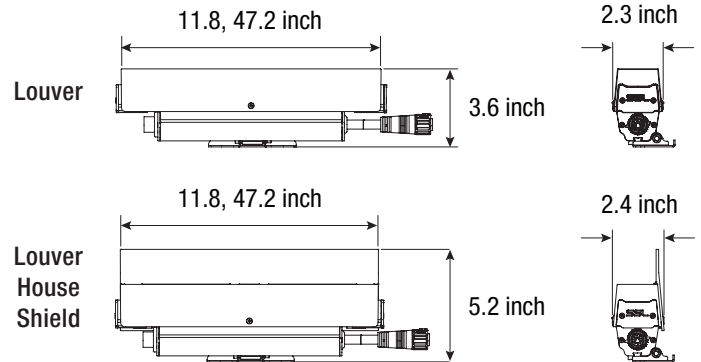
Vert. 7° x 7° Beam (Native Optic)
 Horiz.

LazerLine HC WET

ACCESSORIES

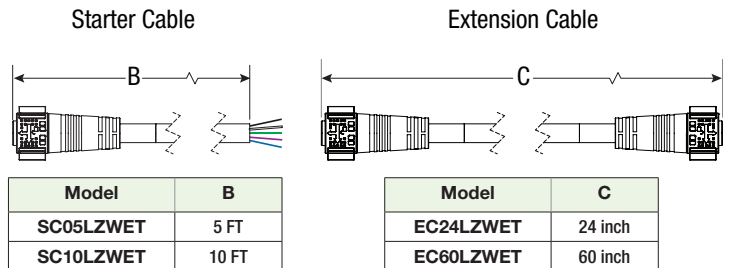
LOUVER — LLZW-1		
Luminaire	Part Number	Stacked Length
1 FT	1x LLZW-1	11.8 inch
4 FT	4x LLZW-1	47.2 inch

LOUVER HOUSE SHIELD — LLZWS-1		
Luminaire	Part Number	Stacked Length
1 FT	1x LLZWS-1	11.8 inch
4 FT	4x LLZWS-1	47.2 inch



MAXIMUM RUN LENGTHS			
Model	W/FT	Input Voltage	
		120 VAC, 50/60 Hz	277 VAC, 50/60 Hz
LZXWET	12W	52	128
	8W	70	132
	5W	70	132

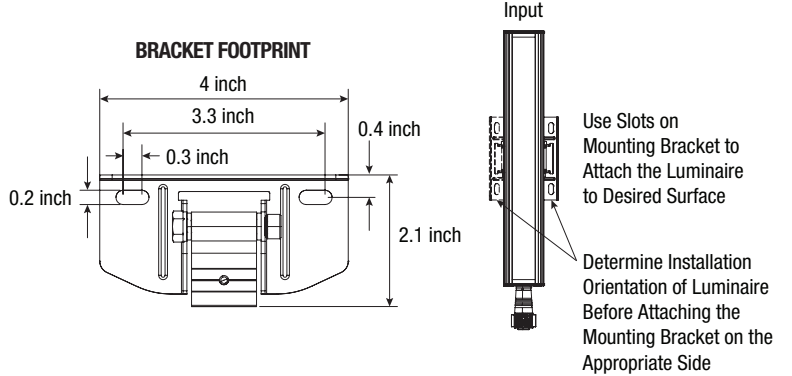
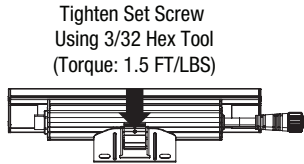
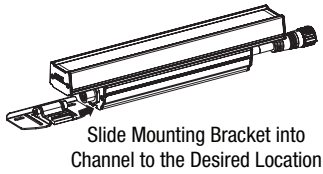
CONNECTIONS & CABLES	
Model	Description
SC05LZWET	5 FT Starter Connection Cord
SC10LZWET	10 FT Starter Connection Cord
TCAPLZWET	Standard Terminator Cap
EC24LZWET	24 inch Extension Cord
EC60LZWET	60 inch Extension Cord



LazerLine HC WET

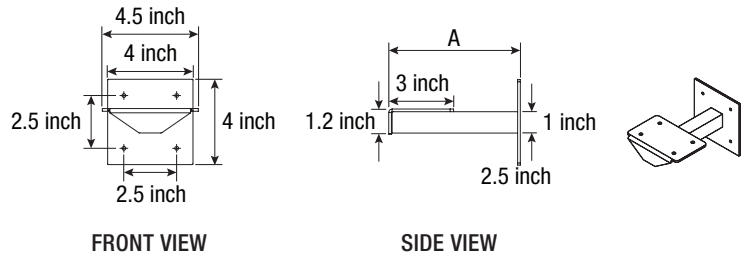
MOUNTING ACCESSORIES

STANDARD ADJUSTABLE BRACKET — ADBW3 (90°)	
Luminaire	Minimum Required Quantity
1 FT	1
4 FT	2



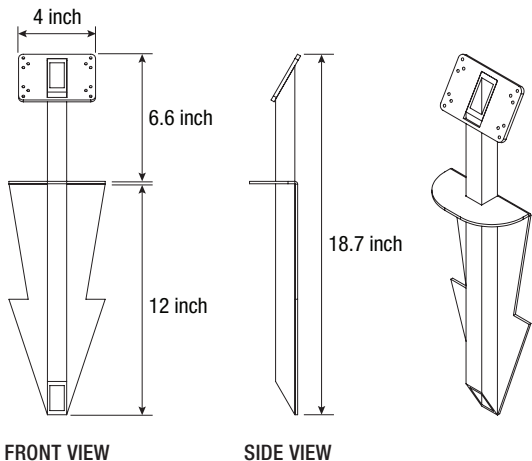
CANTILEVER ARM — CA3	
Bracket Part Number	Length (A)
CA3-6	6 inch
CA3-12	12 inch
CA3-18	18 inch

CANTILEVER ARM — CA3 (Quantity / Luminaire)	
Luminaire	Minimum Required Quantity
1 FT	1
4 FT	2



Model	(A) Arm Length	(B) Mounting Height	(C) Mounting Width	(D) Bracket Plate Length	(E) Bracket Plate Width
CA3-6	6 inch	4 inch	4 inch	3 inch	5.5 inch
CA3-12	12 inch				
CA3-18	18 inch				

LANDSCAPE SPIKE (Metal) — LS-6		
Bracket Part Number	Above Grade	Below Grade
LS-6	6.6 inch	12 inch



HEAVY DUTY LANDSCAPE SPIKE — HLS	
Bracket Part Number	Below Grade (Maximum)
HLS	17.9 inch

