

**PDX-RDS2,  
PDX-RDS4**

*Power Data Wiring Box  
with 2-Port or 4-Port  
DMX/RDM Splitter*



<b>Date:</b>		<b>Approved:</b>
<b>Type:</b>		
<b>Fixture:</b>		
<b>Project:</b>		

The **PDX-RDS2, PDX-RDS4** are exterior-rated enclosures with a hinged cover that latches and seals using a formed in place PUR gasket and a stainless steel latch. It consolidates multiple input sources into two outputs to the ColourLine Series luminaires. Data input from the RDM Color controller and AC input combine to provide output to two Starter Cords or two DMX Outputs. Splitter is fully RDM compliant.

**SPECIFICATIONS**

**PHYSICAL**

<b>housing</b>	Impact-Resistant polycarbonate housing and mounting feet. Lid can be secured via padlock.
<b>dimensions</b>	11"L x 9"W x 5.7"H
<b>weight</b>	Less than 5 lbs
<b>mounting</b>	Four polycarbonate mounting feet, surface mount
<b>impact rating</b>	IK10
<b>knockout size</b>	5 NPT 1/2" Cable Glands, 1- 2/8" Cable Gland for AUX Ground

**PERFORMANCE**

<b>options</b>	AC Power Surge Protection (Incoming AC Only)
<b>operating temperature</b>	-22°F to 158°F (-30°C to 70°C)
<b>warranty</b>	5-Year limited warranty (refer to website for details)

**ELECTRICAL**

<b>input voltage</b>	Universal 120 – 277 VAC
<b>output</b>	Two 5- or 6-Pin Starter Cables or Two DMX Outputs (Four DMX Outputs available with S4 options)
<b>certification</b>	ETL / cETL
<b>environment</b>	IP66 dry, damp, wet location
<b>DMX</b>	E1.20 RDM and E1.11 DMX512-A compliant



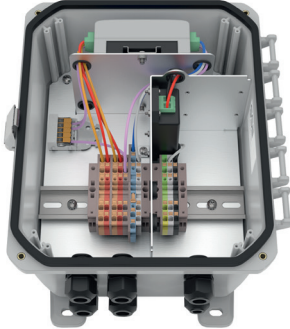
# PDX-RDS2, PDX-RDS4



## Ordering Information

### POWER DATA WIRING BOX – WITH 2-PORT SPLITTER

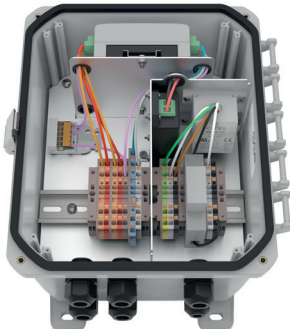
PART NUMBER	
<b>PDX-RDS2</b>	
MODEL	PROTECTION
<b>PDX-RDS2</b> Power Data Wiring Box with 2 Port DMX/RDM Splitter	



### POWER DATA WIRING BOX – WITH 2-PORT SPLITTER AND FRONT-END AC SURGE PROTECTION

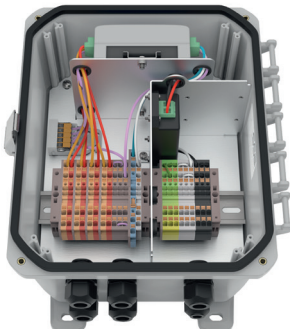
PART NUMBER	
<b>PDX-RDS2 -ACP</b>	
MODEL	PROTECTION
<b>PDX-RDS2</b> Power Data Wiring Box	<b>ACP</b> AC Input Surge Protection*

\*Protects all connected products on AC Input from 120 - 277 VAC Surge spikes up to Extreme Category 20kV / 10kA. Includes LED indicator and field replaceable for replacement and when fails it turns power off to all connected products preventing further damage. See page 3 for detailed breakdown.



### POWER DATA WIRING BOX – WITH 4-PORT SPLITTER

PART NUMBER	
<b>PDX-RDS4</b>	
MODEL	PROTECTION
<b>PDX-RDS4</b> Power Data Wiring Box with 4-Port DMX/RDM Splitter	



Due to continuous development and improvements, specifications are subject to change without notice. Product use certifies agreement to Solid State Luminaires terms and conditions.



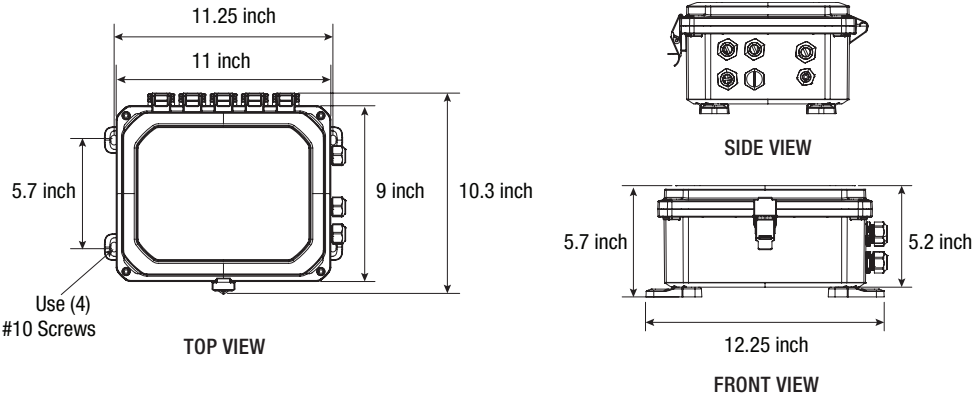
US Commercial Lighting Manufacturer Since 1982

# PDX-RDS2, PDX-RDS4



# Dimensions & Surge Protection

## OVERALL DIMENSIONS



## Luminaire Types

**Product Combinations include:**

- ColourLine
- ColourLine Cove (CLCV)
  - ColourLine Graze (CLGR)
  - ColourLine Wet (CLWET)
  - SSF2100 Series RGBW Floods (Uses 5-Pin Connectors)
- LAZER series**
- ColourLine LazerLine Wet (CLZWET)
  - ColourLine Lazer (CLZF)
  - ColourLine Lazer Micro Flood (CLZMF)
  - ColourLine Direct View Linear (SSL-DV) (Uses 6-Pin Connectors)

## SURGE PROTECTION OPTIONS

### PDX-RDS2-ACP – FRONT AC PROTECTION

- Surge Protector
  - IMAX (8 / 20µs) – 22kA
  - IN (15 impulses 8 / 20µs) – 10kA
  - Built-in LED Indicator
  - Easily removed for replacement
  - UL1449 5th Ed. TYPE 4CA, Category VZCA2, VZCA8 (E326289)
- In-Line Fuse
  - Time Delay Fuse
  - 7A Rated
  - 10kA Interrupt Rating
  - 12 Second Response Time
  - Voltage Rating – 500 VAC / 300 VDC
  - UL Listed (E10480)
  - 10 x 38 mm Midget Style Fuse