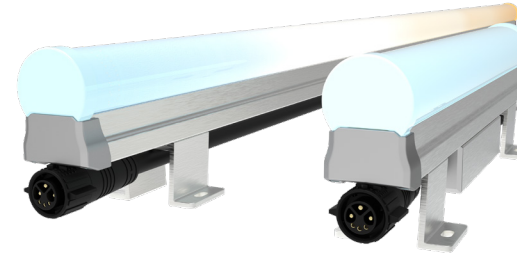
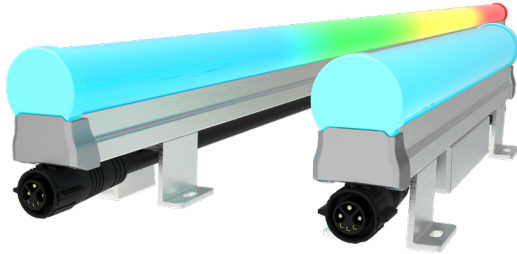


SSL-DV Direct View Linear - INSTALLATION INSTRUCTIONS

CAUTION: BEFORE CONNECTING THE FIXTURE TO A POWER SUPPLY, MAKE SURE THE POWER IS SWITCHED OFF.



t 800.900.1730
3609 Swenson Ave.
St. Charles, IL 60174



GENERAL:

1. Before starting the installation, make sure all electricity has been turned off and electrical breaker has been locked out and tagged out.
2. To ensure the success of the installation, be sure to read these instructions and review the diagrams thoroughly before beginning.
3. All electrical connections must be in accordance with local codes, ordinances, or the National Electrical Code.

NOTE: The important safeguards and instructions appearing in this manual are not meant to cover all possible conditions and situations that may occur.

NOTE: What comes in the box: Fixture, Tether and Installation Instructions.

INSTALLATION:

- 1) Verify Physical Layout Plan.
 - a) Ensure all hardware is present.
 - b) Ensure all electrical feeds are correctly positioned with all hardware and any other active components.
 - c) Confirm DMX Addressing Plan.
 - i. SSL recommends pre-addressing fixtures before mounting installation.
 - ii. Ensure that addressing is documented for future upgrading, configuring or troubleshooting.
 - iii. Create an addressing table to document all fixture IDs and their physical location.

HARDWARE: May include RDM Controller, Exterior Rated Data Line, AC Power Feed, PDX/S box, PDX2 box, Starter Cords, Terminator Caps, Extension Cables and fixtures.

NOTE: Use Extension Cable when necessary, for corners and extending fixture runs.

IMPORTANT: Max Run Length: see **Chart A** on page 2.

REQUIRED: Starter Cable (**SC05/10/25/50LZWET**) and Terminator Cap (**TCAP DCLZWET**) are required for every run.

SSL-DV Direct View Linear - INSTALLATION INSTRUCTIONS

CAUTION: BEFORE CONNECTING THE FIXTURE TO A POWER SUPPLY, MAKE SURE THE POWER IS SWITCHED OFF.

DETAILED ILLUSTRATION

SSL-DV - Single Segment Configuration

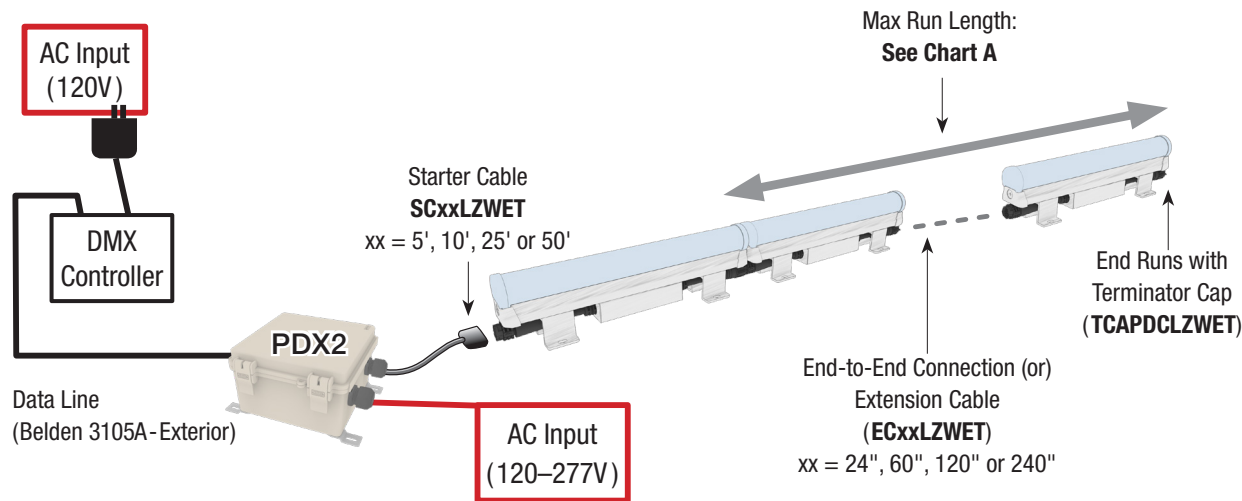


Chart A

Model	Max Run Length	120 VAC	277 VAC
DV-HLO	4.5W/FT	176'	400'

HLO = High Output "ColourFull"

NOTE: Max Run Length may be limited by DMX max of 512 channels.

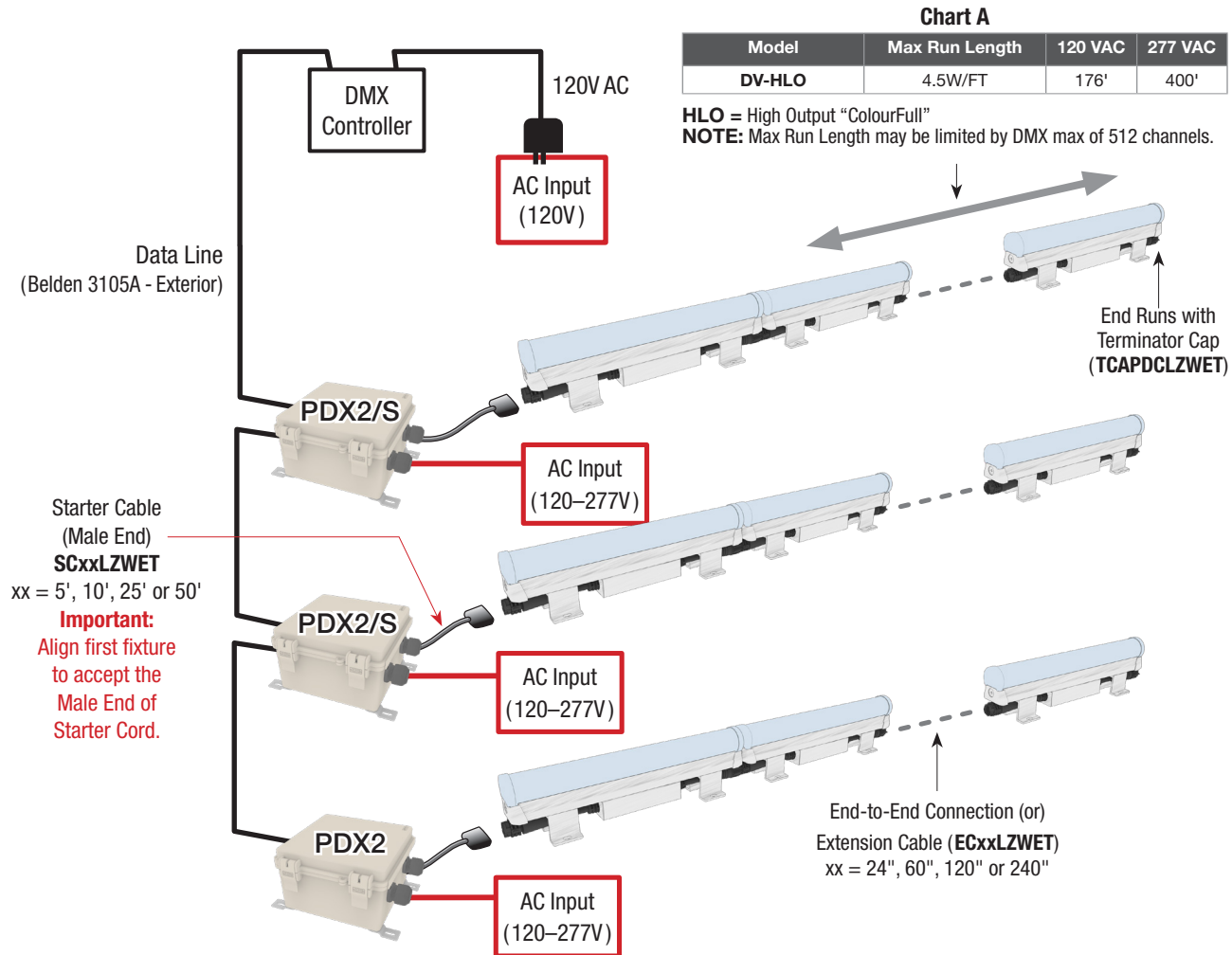
NOTE: The Gap between fixtures 6-10mm (0.236" - 0.394") is fixed due to the connector to connector when wiring fixture to fixture.

SSL-DV Direct View Linear - INSTALLATION INSTRUCTIONS

CAUTION: BEFORE CONNECTING THE FIXTURE TO A POWER SUPPLY, MAKE SURE THE POWER IS SWITCHED OFF.

DETAILED ILLUSTRATION

SSL-DV - Multiple Segment Configuration



SSL-DV Direct View Linear - INSTALLATION INSTRUCTIONS

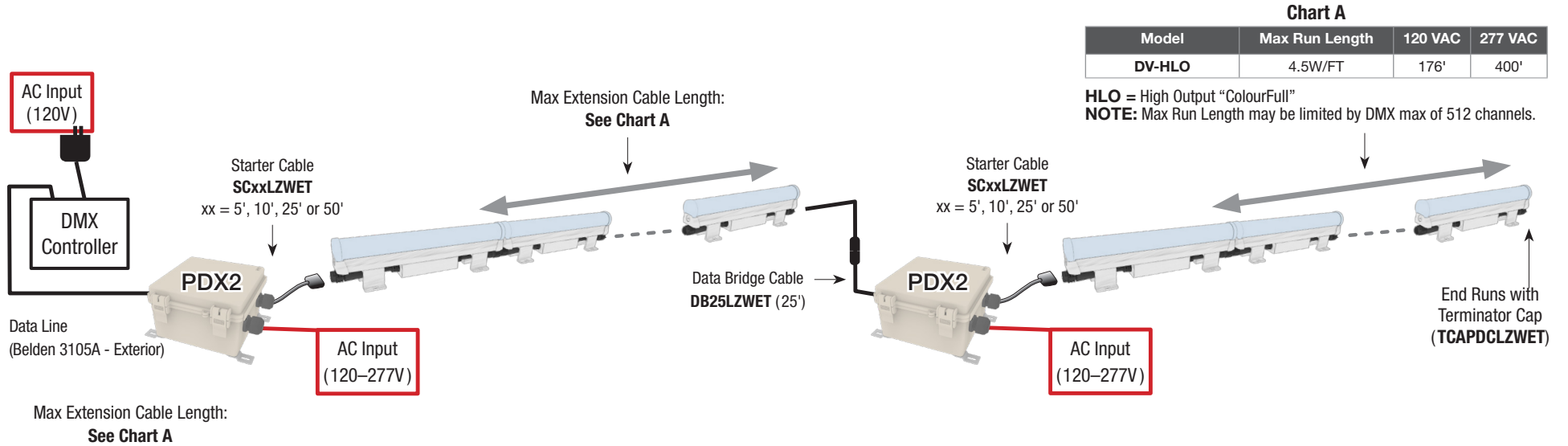
CAUTION: BEFORE CONNECTING THE FIXTURE TO A POWER SUPPLY, MAKE SURE THE POWER IS SWITCHED OFF.



t 800.900.1730
3609 Swenson Ave.
St. Charles, IL 60174

DETAILED ILLUSTRATION

SSL-DV - Extended Segment Configuration



3 Max Run Length Segments

Three Max Run Length Segments can be connected before requiring a Repeater.



SSL-DV Direct View Linear - INSTALLATION INSTRUCTIONS

CAUTION: BEFORE CONNECTING THE FIXTURE TO A POWER SUPPLY, MAKE SURE THE POWER IS SWITCHED OFF.



SSL-DV MEDIA RGBW/DW



t 800.900.1730
3609 Swenson Ave.
St. Charles, IL 60174

DETAILED ILLUSTRATION

PDX2 - Power/Data Box

GENERAL:

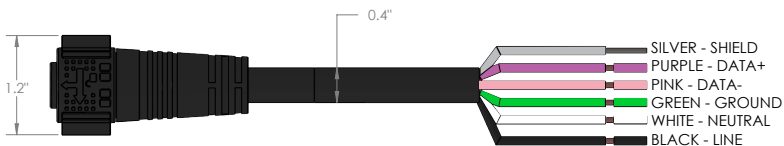
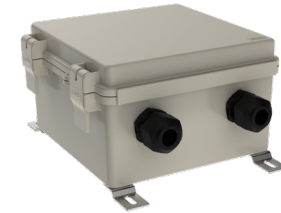
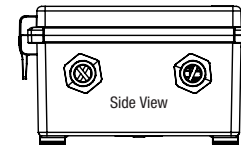
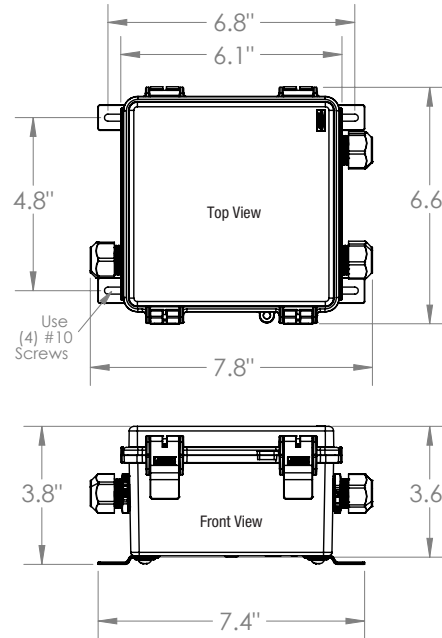
1. Before starting the installation, make sure all electricity has been turned off and electrical breaker has been locked out and tagged out.
2. To ensure the success of the installation, be sure to read these instructions and review the diagrams thoroughly before beginning.
3. All electrical connections must be in accordance with local codes, ordinances, or the National Electrical Code.

NOTE: The important safeguards and instructions appearing in this manual are not meant to cover all possible conditions and situations that may occur.

INSTALLATION:

- 1) PDX2 (Power/Data Box)
 - a) Mount PDX2 (PDX2 is exterior-rated).

NOTE: Use appropriate fasteners for mounting to surface type.



Cable Accessories (order separately)

Accessories (Indicate the quantity needed for each item.) **REQUIRED:** Starter Cable (SCxxLZWET) and Terminator Cap (TCAPDCLZWET) for every run.

- _____ **SC10LZWET** 10 ft. Starter Connection Cord
- _____ **SC25LZWET** 25 ft. Starter Connection Cord
- _____ **SC50LZWET** 50 ft. Starter Connection Cord

- _____ **TCAPDCLZWET** Data Terminator Cap (120 Ohm)
- _____ **EC24LZWET** 24 in. Extension Cord
- _____ **EC60LZWET** 60 in. Extension Cord

- _____ **EC120LZWET** 120 in. Extension Cord
- _____ **EC240LZWET** 240 in. Extension Cord

SSL-DV Direct View Linear - INSTALLATION INSTRUCTIONS

CAUTION: BEFORE CONNECTING THE FIXTURE TO A POWER SUPPLY, MAKE SURE THE POWER IS SWITCHED OFF.



SSL-DV MEDIA RGBW/DW



t 800.900.1730
3609 Swenson Ave.
St. Charles, IL 60174

DETAILED ILLUSTRATION

PDX2 - Power/Data Box

GENERAL:

1. Before starting the installation, make sure all electricity has been turned off and electrical breaker has been locked out and tagged out.
2. To ensure the success of the installation, be sure to read these instructions and review the diagrams thoroughly before beginning.
3. All electrical connections must be in accordance with local codes, ordinances, or the National Electrical Code.

NOTE: The important safeguards and instructions appearing in this manual are not meant to cover all possible conditions and situations that may occur.

INSTALLATION:

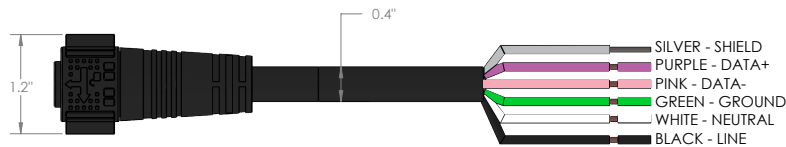
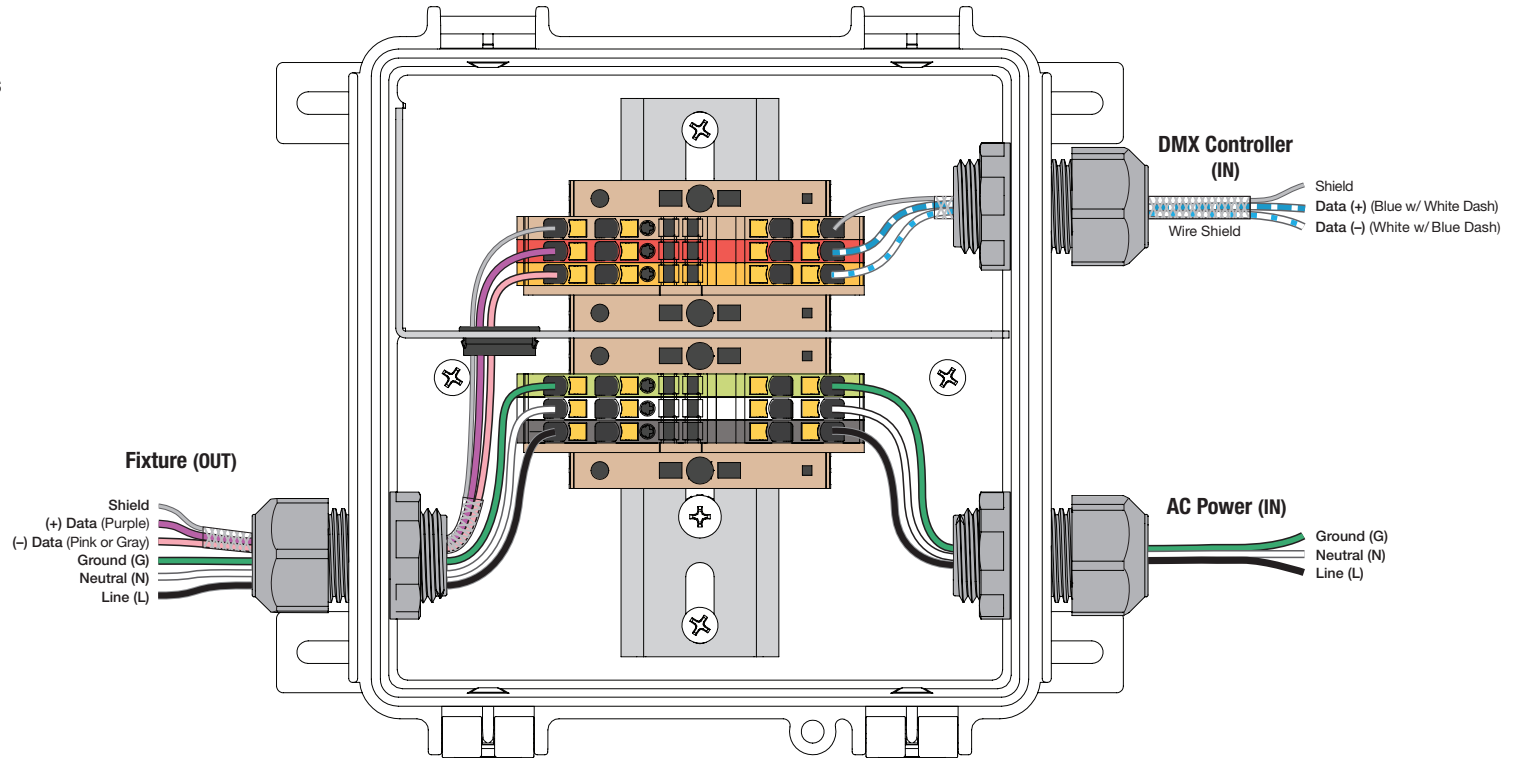
- 1) PDX2 (Power/Data Box)
 - a) Mount PDX2 (PDX2 is exterior-rated).

NOTE: Use appropriate fasteners for mounting to surface type.

- b) PDX2 Wiring Diagram

PDX2 Wiring

TOP VIEW



SSL-DV Direct View Linear - INSTALLATION INSTRUCTIONS

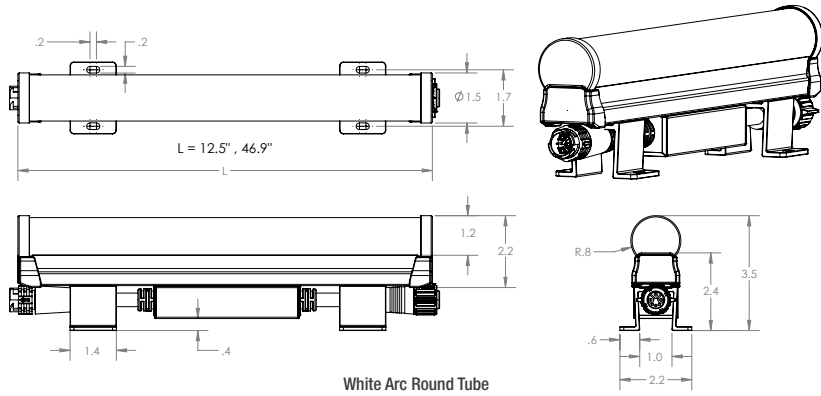
CAUTION: BEFORE CONNECTING THE FIXTURE TO A POWER SUPPLY, MAKE SURE THE POWER IS SWITCHED OFF.



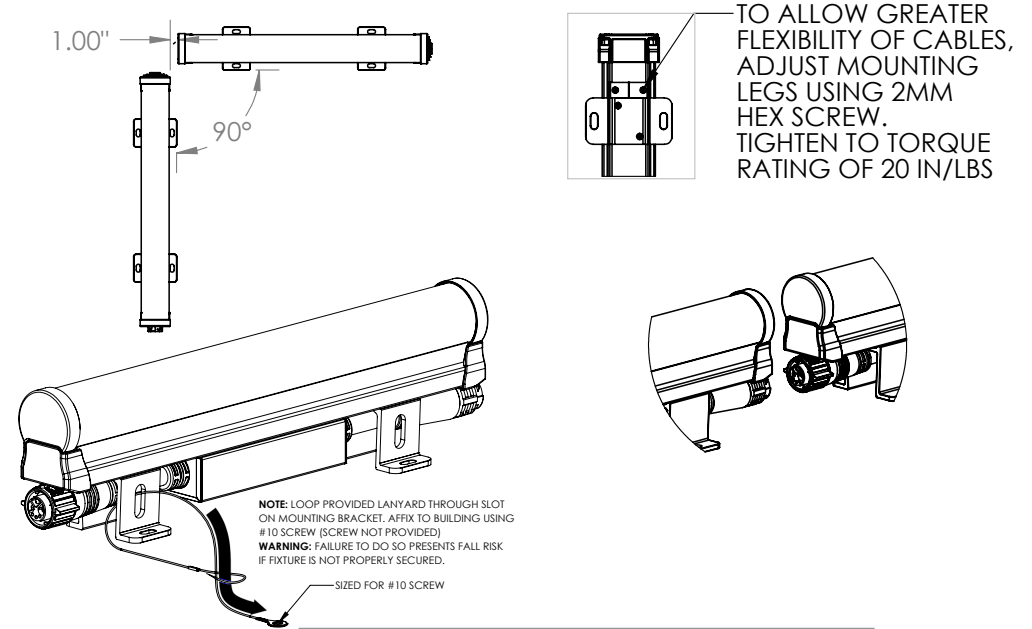
t 800.900.1730
3609 Swenson Ave.
St. Charles, IL 60174

DETAILED ILLUSTRATION

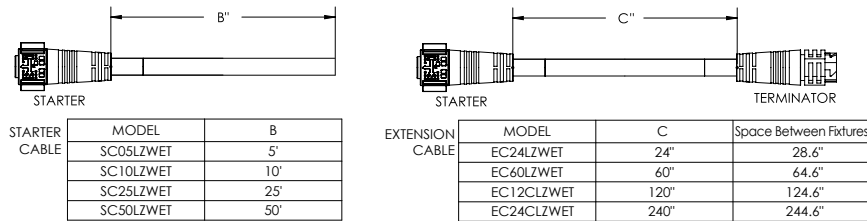
STANDARD DIMENSIONS & CABLES



CORNERS, CORD BENDING and TETHERING



STARTER CABLES



Model	Max Run Length	120 VAC	277 VAC
DV-HLO	4.5W/FT	176'	400'

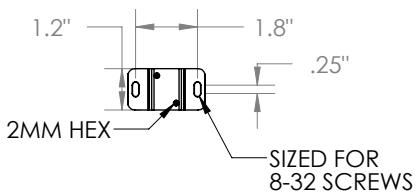
HLO = High Output "ColourFull"

NOTE: Max Run Length may be limited by DMX max of 512 channels.

NOTE: Cable connector outer-diameter sized for .125" hole.

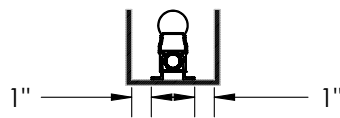
NOTE: All starter cables are field-cuttable.

BRACKET FOOTPRINT

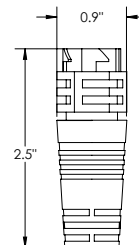


COVE SPACING

UNIT MUST HAVE 1" CLEARANCE



Terminator Cap (TCAPDCLZWET)



SPACING & TERMINATING CAP

