

# LazerLine WET

High Efficiency Linear Outdoor



Select options next to clock symbol to qualify your order.

**QuickShip max order = 25 pcs**



## FEATURES

- Up to 45,201 cd
- Up to 1100 lm/ft and 100 LPW
- Several Optics for every application
- Multiple Outputs included ASHRAE Compliant
- Slim Form Factor with 90° Adjustable Bracket(s) Standard
- Unique Push locking waterproof connector system, IP68 rated
- 0-10V Dimmable, 1% (Standard)

## PERFORMANCE

**Beam Spread:** 9° (Native Optic), 10°x30°, 10°x60°, 15°x25°, 30°, 30°x14°, 30°x60°, 50°x80°, 80°  
**CCT Options:** 2700K, 3000K, 3500K, 4000K, 5000K  
**CRI:** 83 CRI  
**Consistency:** 2 SDCM (Luminaire to Luminaire)  
**Lumens:** 1100 lm/ft (typical)  
**Lumen Maintenance:** L70 > 70,000 hours



## PHYSICAL

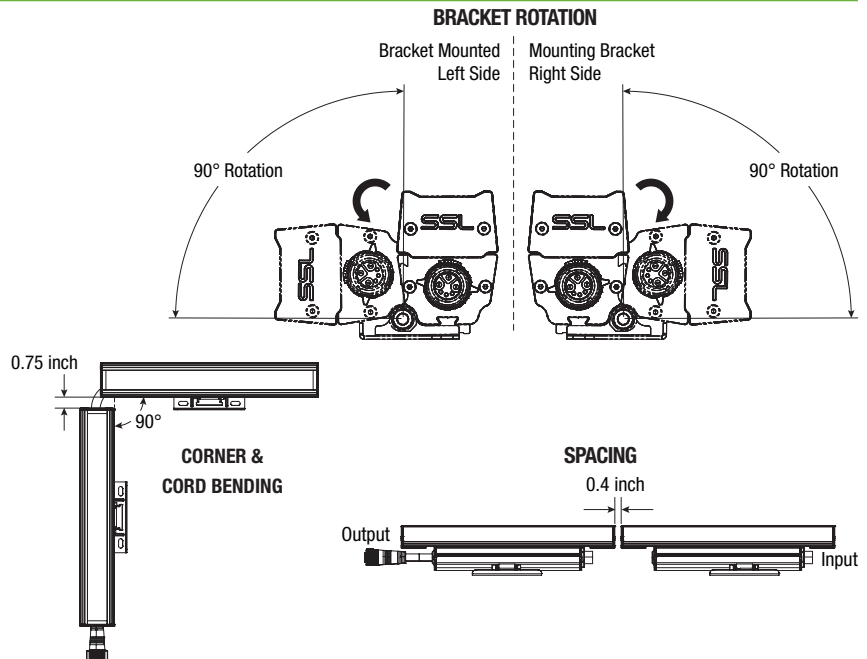
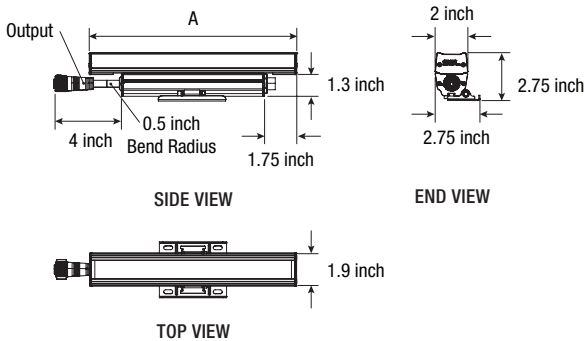
**Mounting:** Adjustable Bracket (90°), other options available  
**Housing:** Extruded aluminum housing with injection molded end caps  
**Finish:** Anodized Aluminum, Powder Coated Endcaps  
**Warranty:** 5-Year limited warranty  
**Lens:** IK08 impact compliant, Low iron tempered glass  
**Ingress Protection:** IP66 wet, exterior location (Connectors IP68)  
**Vibration Resistance:** Compliant with 3G ANSI C136.31  
**Weight:** 1.3 lbs/ft  
**Operating Temperature:** -4°F to 104°F (-20°C to 40°C)

## ELECTRICAL

**Voltage:** Universal 120 - 277 VAC  
**Power Supply:** Integral Class II, electronic high-power factor >0.94 @ 120 VAC  
**Power Consumption:** Maximum 12W/ft  
**Dimming:** LD 0-10V Dimming, 1% (Standard)  
**Certification:** ETL / cETL wet location listed  
**Standards:** cETLus Listed, CE, NOM

## PHYSICAL DIMENSIONS

Model	Length (A)
LZWET-1	12.3 inch
LZWET-4	48 inch



# LazerLine WET

## PRODUCT CODE

EXAMPLE: LZWET-1-UNV-827-11L-9-LD

QuickShip max order = 25 pcs

Select options next to clock symbol to qualify your order.

MODEL	LENGTH	VOLTAGE	COLOR	LUMENS	OPTICS	DIMMING	OPTIONS
LZWET		UNV				LD	
<b>MODEL</b>				<b>LUMENS typical</b>		<b>DIMMING</b>	
<input checked="" type="checkbox"/> LZWET				<b>1 FT</b>		<input checked="" type="checkbox"/> LD 0-10V Dimming, 1% (Standard)	
<b>LENGTH</b>				<input checked="" type="checkbox"/> 11L 1100 lm (12W) 1100 lm/ft			
<input checked="" type="checkbox"/> 1 12.3 in				<input checked="" type="checkbox"/> 08L 750 lm (9.5W) 750 lm/ft			
<input checked="" type="checkbox"/> 4 48 in				<input checked="" type="checkbox"/> 04L 400 lm (5W) 400 lm/ft*			
<b>VOLTAGE</b>				<b>4 FT</b>			
<input checked="" type="checkbox"/> UNV Universal 120 - 277 VAC				<input checked="" type="checkbox"/> 44L 4400 lm (44W) 1100 lm/ft			
<b>CCT</b>				<input checked="" type="checkbox"/> 30L 3000 lm (33W) 750 lm/ft			
<input checked="" type="checkbox"/> 827 (83CRI) 2700K				<input checked="" type="checkbox"/> 16L 1600 lm (20W) 400 lm/ft*			
<input checked="" type="checkbox"/> 830 (83CRI) 3000K				*ASHRAE Compliant			
<input checked="" type="checkbox"/> 835 (83CRI) 3500K				<b>OPTICS typical</b>			
<input checked="" type="checkbox"/> 840 (83CRI) 4000K				<input checked="" type="checkbox"/> 9 9° x 9° Beam (Native Optic)			
<input checked="" type="checkbox"/> 850 (83CRI) 5000K				<input checked="" type="checkbox"/> 1030 10° x 30° Beam			
				<input checked="" type="checkbox"/> 1060 10° x 60° Beam			
				<input checked="" type="checkbox"/> 1525 15° x 25° Beam			
				<input checked="" type="checkbox"/> 30 30° x 30° Beam			
				<input checked="" type="checkbox"/> 3060 30° x 60° Beam			
				<input checked="" type="checkbox"/> 5080 50° x 80° Beam			
				<input checked="" type="checkbox"/> 80 80° x 80° Beam			
						<b>OPTIONS</b>	

(Order separately. Indicate the quantity needed for each item.) (See Page 9 for Maximum Run Lengths)  
 (REQUIRED: Starter Connection Cord (SC05LZWET/ SC10LZWET) and Standard Terminator Cap (TCAPLZWET) for every run.)  
 NOTE: 10°x60°, 30°x60°, 50°x80° and 80°x80° optical options not recommended for louver options.

## ACCESSORIES

- |                                                                              |                                                                     |                                                                                                                            |
|------------------------------------------------------------------------------|---------------------------------------------------------------------|----------------------------------------------------------------------------------------------------------------------------|
| <input type="checkbox"/> SC05LZWET 5 ft. Starter Connection Cord             | <input checked="" type="checkbox"/> EC24LZWET 24 in. Extension Cord | <input type="checkbox"/> LLZW-1 LZWET Louver*                                                                              |
| <input checked="" type="checkbox"/> SC10LZWET 10 ft. Starter Connection Cord | <input checked="" type="checkbox"/> EC60LZWET 60 in. Extension Cord | <input type="checkbox"/> LLZWHS-1 LZWET Louver w/ House Shield*                                                            |
| <input checked="" type="checkbox"/> TCAPLZWET Standard Terminator Cap        |                                                                     | *One Louver per linear foot (Either LLZW-1 or LLZWHS-1)<br>Each LZWET-1 requires 1 louver, Each LZWET-4 requires 4 louvers |

## MOUNTING ACCESSORIES

(Order separately.) (ADBW3 Bracket(s) Included with Luminaire.) (Requirements vary for each luminaire ordered. See mounting pages for details.)

- |                                                      |                                                              |
|------------------------------------------------------|--------------------------------------------------------------|
| <input type="checkbox"/> CA3-6 Cantilever Arm - 6"   | <input type="checkbox"/> LS-6 Landscape Spike - 6"           |
| <input type="checkbox"/> CA3-12 Cantilever Arm - 12" | <input type="checkbox"/> HLS Heavy Duty Landscape Spike      |
| <input type="checkbox"/> CA3-18 Cantilever Arm - 18" | <input type="checkbox"/> CLWFA-KIT Tall Bracket Base*        |
|                                                      | *One CLWFA-KIT needed per LZWET-1,<br>Two needed per LZWET-4 |

# LazerLine WET

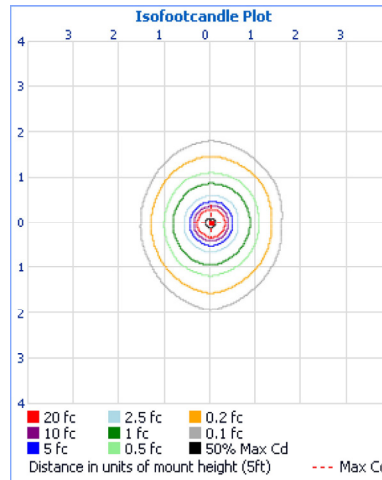
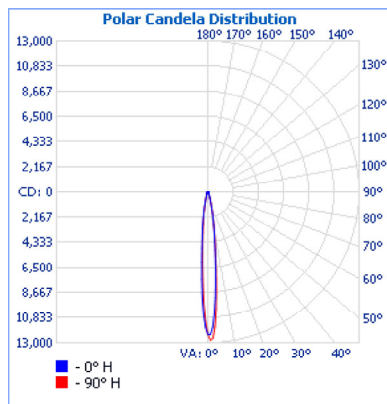
## LUMENS / WATTAGE typical

Model	Watts	LM79 Test Result @ Max Lumens
		840 (4000 Kelvin, CRI 83) Nominal
LZWET-1	5W	400 lm/ft
	9.5W	750 lm/ft
	12W	1100 lm/ft
LZWET-4	20W	400 lm/ft
	33W	750 lm/ft
	44W	1100 lm/ft

CCT Multiplier (CRI83)	
CCT	Multiplier
827 (2700K)	0.96
830 (3000K)	0.98
835 (3500K)	1.00
840 (4000K)	1.00
850 (5000K)	1.04

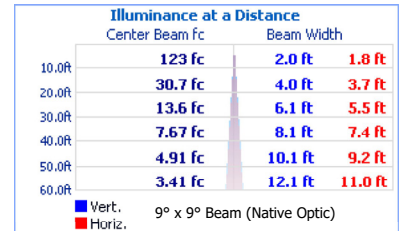
## PHOTOMETRICS

LZWET-1-UNV-840-11L-9-LD.ies

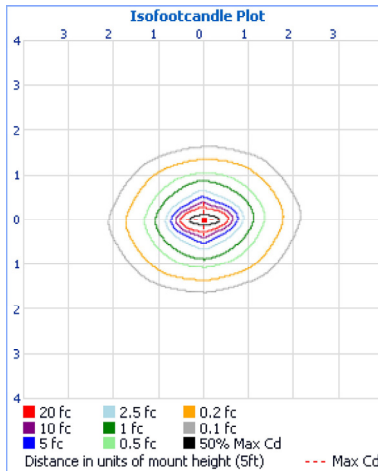
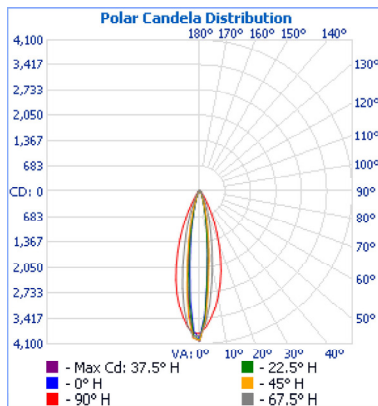


Zonal Lumen Summary

Zone	Lumens	% Lamp	% Luminaire
0-30	872.2	90.9%	87.2%
0-40	923.0	96.2%	92.3%
0-60	981.4	102.3%	98.2%
60-90	18.4	1.9%	1.8%
0-90	999.8	104.2%	100%

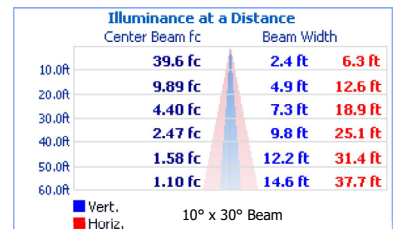


LZWET-1-UNV-840-11L-1030-LD.ies



Zonal Lumen Summary

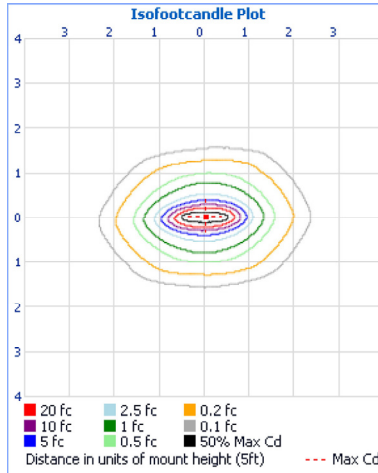
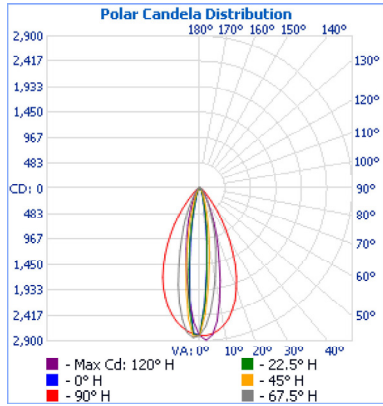
Zone	Lumens	% Luminaire
0-30	742.4	78.8%
0-40	826.4	87.7%
0-60	903.1	95.9%
60-90	31.1	3.3%
70-100	13.3	1.4%
90-120	3.0	0.3%
0-90	934.2	99.2%
90-180	7.7	0.8%
0-180	941.9	100%



# LazerLine WET

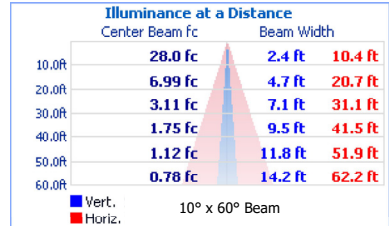
## PHOTOMETRICS

LZWET-1-UNV-840-11L-1060-LD.ies

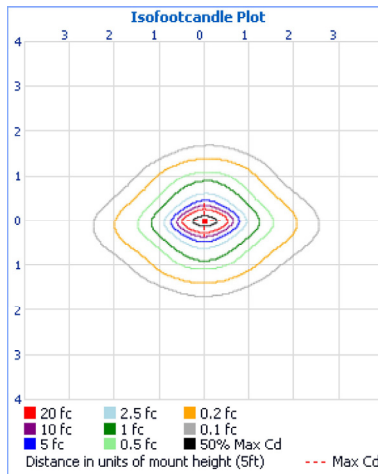
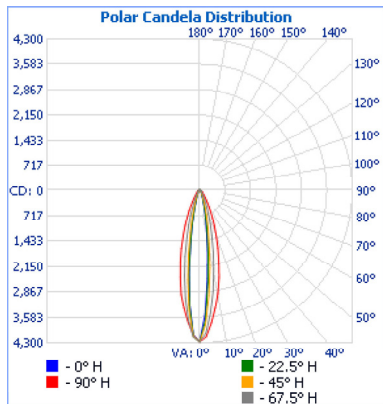


Zonal Lumen Summary

Zone	Lumens	% Luminaire
0-30	670.0	71%
0-40	795.7	84.3%
0-60	901.7	95.6%
60-90	36.7	3.9%
70-100	14.8	1.6%
90-120	1.7	0.2%
0-90	938.4	99.5%
90-180	5.1	0.5%
0-180	943.4	100%

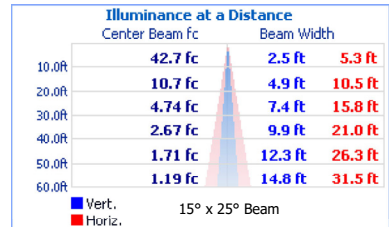


LZWET-1-UNV-840-11L-1525-LD.ies

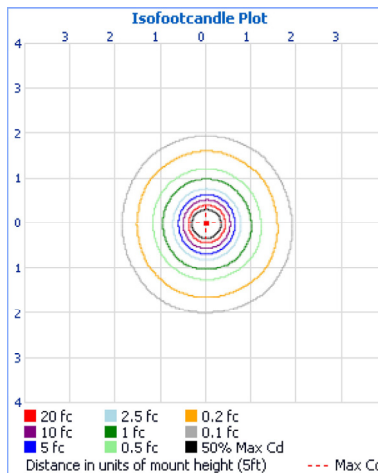
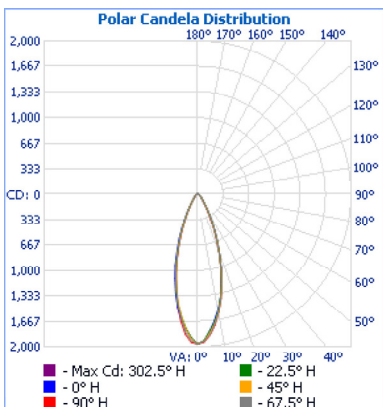


Zonal Lumen Summary

Zone	Lumens	% Luminaire
0-30	713.5	76.5%
0-40	796.5	85.4%
0-60	881.7	94.5%
60-90	42.5	4.5%
70-100	21.0	2.2%
90-120	3.9	0.4%
0-90	924.1	99%
90-180	9.0	1%
0-180	933.1	100%

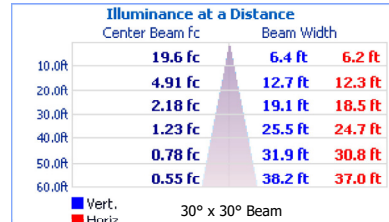


LZWET-1-UNV-840-11L-30-LD.ies



Zonal Lumen Summary

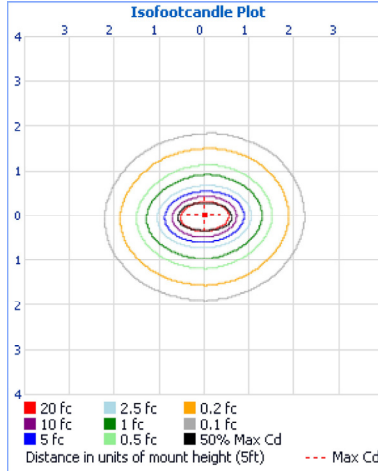
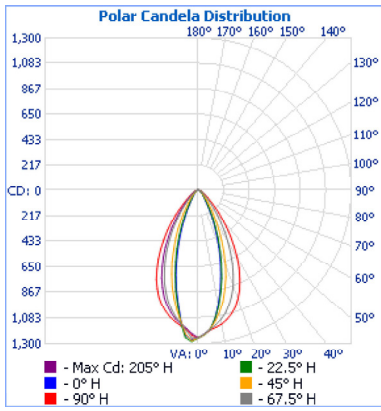
Zone	Lumens	% Luminaire
0-30	705.4	74.9%
0-40	810.1	86%
0-60	898.7	95.4%
60-90	36.3	3.9%
70-100	15.1	1.6%
90-120	2.8	0.3%
0-90	935.0	99.2%
90-180	7.3	0.8%
0-180	942.3	100%



# LazerLine WET

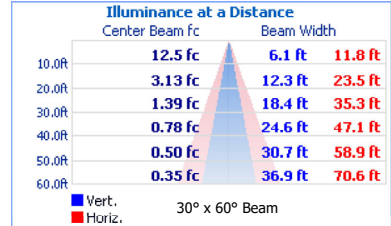
## PHOTOMETRICS

LZWET-1-UNV-840-11L-3060-LD.ies

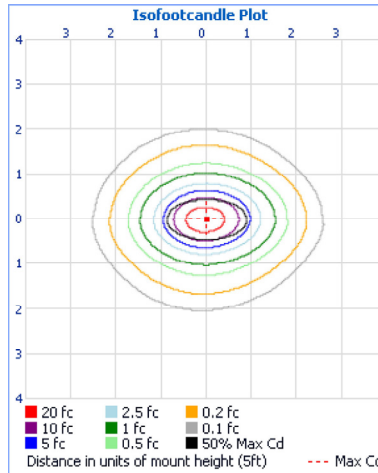
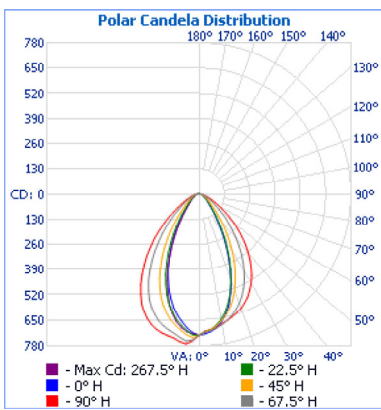


Zonal Lumen Summary

Zone	Lumens	% Luminaire
0-30	597.5	63.8%
0-40	754.6	80.5%
0-60	886.0	94.5%
60-90	43.9	4.7%
70-100	17.5	1.9%
90-120	2.8	0.3%
0-90	930.0	99.2%
90-180	7.2	0.8%
0-180	937.2	100%

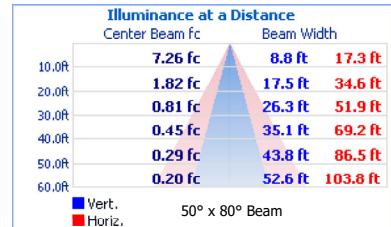


LZWET-1-UNV-840-11L-5080-LD.ies

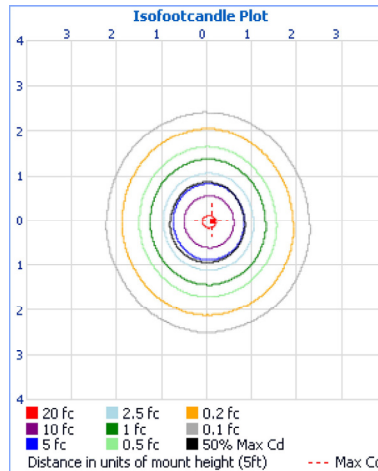
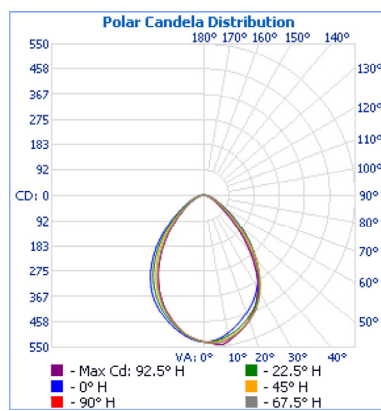


Zonal Lumen Summary

Zone	Lumens	% Luminaire
0-30	461.6	50.1%
0-40	648.8	70.4%
0-60	848.3	92.1%
60-90	64.5	7%
70-100	24.8	2.7%
90-120	3.4	0.4%
0-90	912.8	99.1%
90-180	8.3	0.9%
0-180	921.1	100%

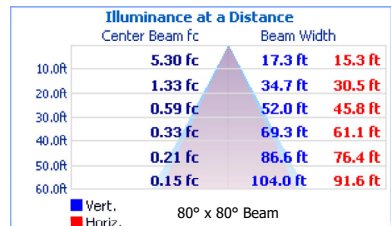


LZWET-1-UNV-840-11L-80-LD.ies



Zonal Lumen Summary

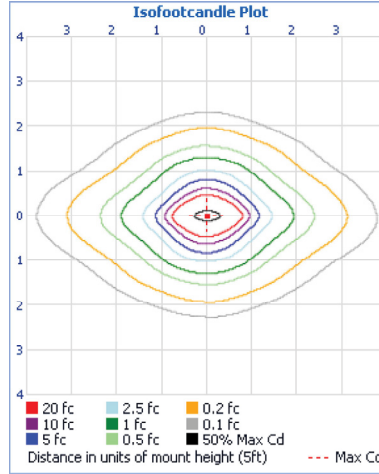
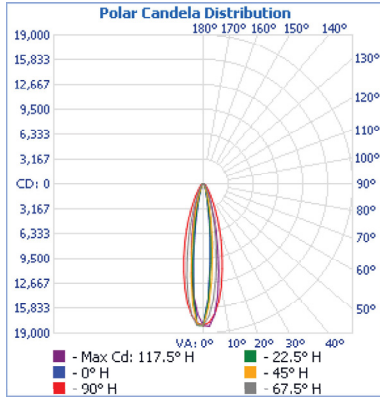
Zone	Lumens	% Luminaire
0-30	377.1	41.6%
0-40	576.8	63.6%
0-60	827.4	91.2%
60-90	75.2	8.3%
70-100	26.6	2.9%
90-120	1.6	0.2%
0-90	902.7	99.5%
90-180	4.6	0.5%
0-180	907.3	100%



# LazerLine WET

## PHOTOMETRICS

LZWET-4-UNV-840-44L-1030-LD.ies



Zonal Lumen Summary

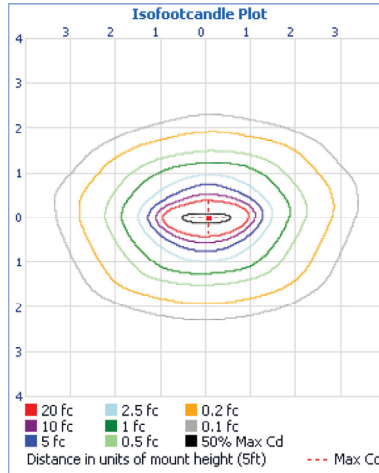
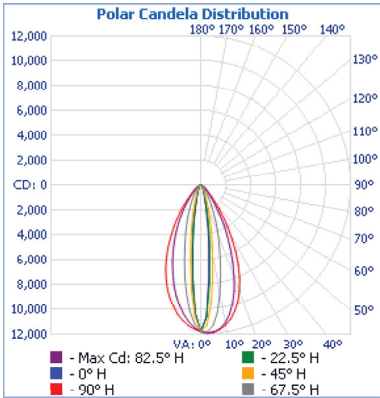
Zone	Lumens	% Luminaire
0-30	3,111.3	78.2%
0-40	3,465.9	87.2%
0-60	3,811.7	95.9%
60-90	151.3	3.8%
70-100	67.1	1.7%
90-120	3.0	0.1%
0-90	3,963.0	99.7%
90-180	13.3	0.3%
0-180	3,976.3	100%

Illuminance at a Distance

	Center Beam fc	Beam Width
10.0R	180 fc	2.4 ft 5.6 ft
20.0R	45.1 fc	4.9 ft 11.1 ft
30.0R	20.0 fc	7.3 ft 16.7 ft
40.0R	11.3 fc	9.7 ft 22.2 ft
50.0R	7.21 fc	12.1 ft 27.8 ft
60.0R	5.01 fc	14.6 ft 33.3 ft

10° x 30° Beam

LZWET-4-UNV-840-44L-1060-LD.ies



Zonal Lumen Summary

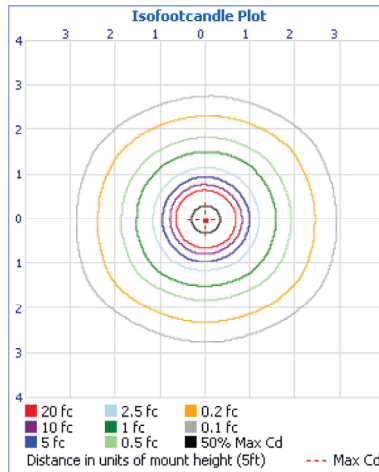
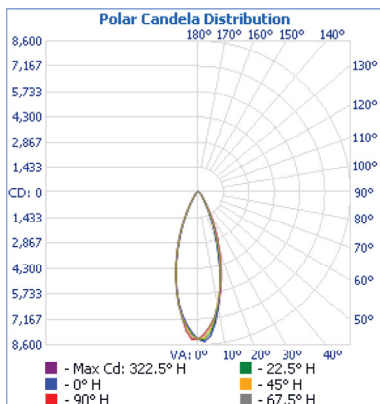
Zone	Lumens	% Luminaire
0-30	2,764.6	70.7%
0-40	3,288.7	84.1%
0-60	3,735.8	95.5%
60-90	158.2	4%
70-100	65.8	1.7%
90-120	7.9	0.2%
0-90	3,894.0	99.6%
90-180	17.3	0.4%
0-180	3,911.3	100%

Illuminance at a Distance

	Center Beam fc	Beam Width
10.0R	118 fc	2.3 ft 10.3 ft
20.0R	29.5 fc	4.5 ft 20.7 ft
30.0R	13.1 fc	6.8 ft 31.0 ft
40.0R	7.37 fc	9.1 ft 41.4 ft
50.0R	4.71 fc	11.3 ft 51.7 ft
60.0R	3.27 fc	13.6 ft 62.0 ft

10° x 60° Beam

LZWET-4-UNV-840-44L-30-LD.ies



Zonal Lumen Summary

Zone	Lumens	% Luminaire
0-30	3,014.1	74.5%
0-40	3,475.7	85.9%
0-60	3,867.4	95.6%
60-90	163.5	4%
70-100	66.2	1.6%
90-120	5.1	0.1%
0-90	4,030.9	99.6%
90-180	15.8	0.4%
0-180	4,046.7	100%

Illuminance at a Distance

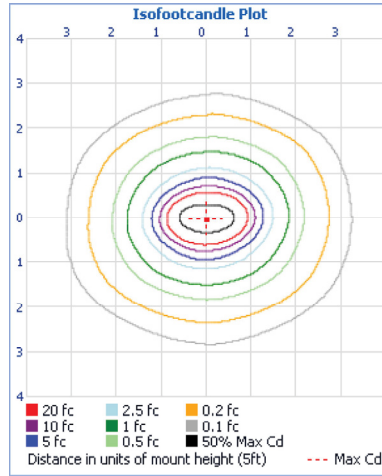
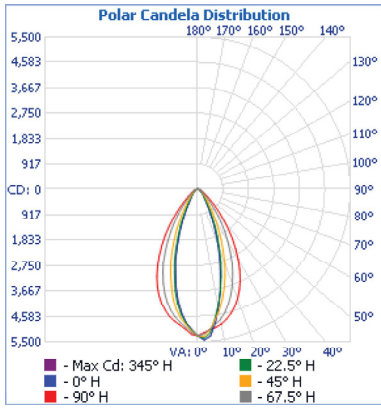
	Center Beam fc	Beam Width
10.0R	82.8 fc	6.1 ft 6.3 ft
20.0R	20.7 fc	12.2 ft 12.5 ft
30.0R	9.20 fc	18.4 ft 18.8 ft
40.0R	5.17 fc	24.5 ft 25.1 ft
50.0R	3.31 fc	30.6 ft 31.3 ft
60.0R	2.30 fc	36.7 ft 37.6 ft

30° x 30° Beam

# LazerLine WET

## PHOTOMETRICS

LZWET-4-UNV-840-44L-3060-LD.ies



Zonal Lumen Summary

Zone	Lumens	% Luminaire
0-30	2,551.4	63.2%
0-40	3,232.7	80%
0-60	3,812.7	94.4%
60-90	203.4	5%
70-100	86.3	2.1%
90-120	11.8	0.3%
0-90	4,016.1	99.4%
90-180	22.3	0.6%
0-180	4,038.5	100%

Illuminance at a Distance

	Center Beam fc	Beam Width	
10.0R	52.8 fc	6.2 ft	11.8 ft
20.0R	13.2 fc	12.4 ft	23.7 ft
30.0R	5.86 fc	18.5 ft	35.5 ft
40.0R	3.30 fc	24.7 ft	47.3 ft
50.0R	2.11 fc	30.9 ft	59.2 ft
60.0R	1.47 fc	37.1 ft	71.0 ft

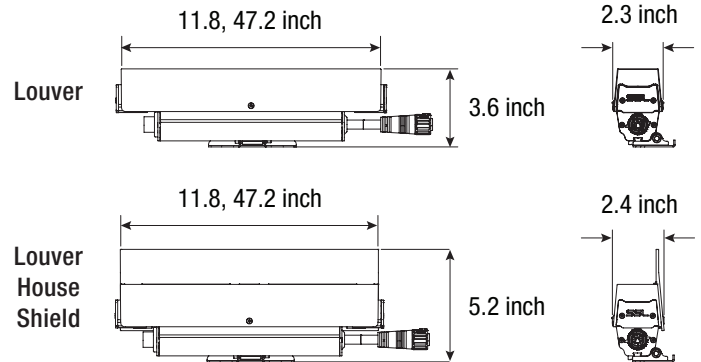
■ Vert.    30° x 60° Beam  
■ Horiz.

# LazerLine WET

## ACCESSORIES

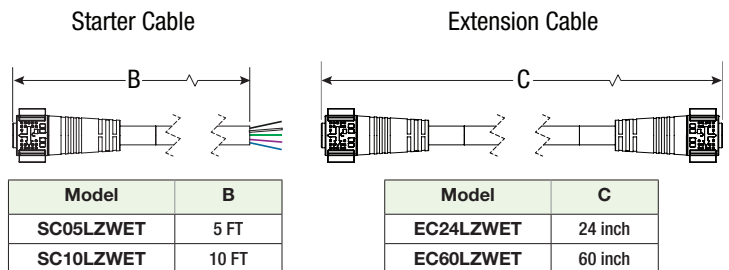
LOUVER — LLZW-1		
Luminaire	Part Number	Stacked Length
1 FT	1x LLZW-1	11.8 inch
4 FT	4x LLZW-1	47.2 inch

LOUVER HOUSE SHIELD — LLZWHS-1		
Luminaire	Part Number	Stacked Length
1 FT	1x LLZWHS-1	11.8 inch
4 FT	4x LLZWHS-1	47.2 inch



MAXIMUM RUN LENGTHS			
Model	W/FT	Input Voltage	
		120 VAC, 50/60 Hz	277 VAC, 50/60 Hz
LZWET	12W	52	128
	9.5W	70	132
	5W	70	132

CONNECTIONS & CABLES	
Model	Description
SC05LZWET	5 FT Starter Connection Cord
SC10LZWET	10 FT Starter Connection Cord
TCAPLZWET	Standard Terminator Cap
EC24LZWET	24 inch Extension Cord
EC60LZWET	60 inch Extension Cord

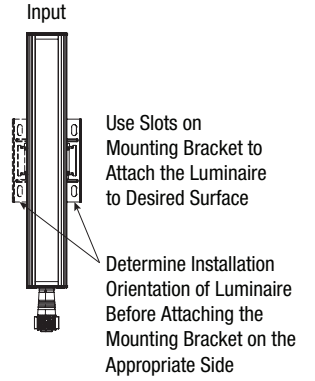
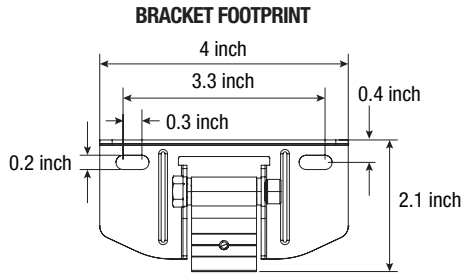
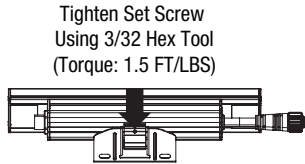
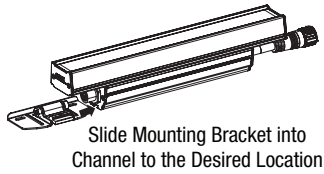




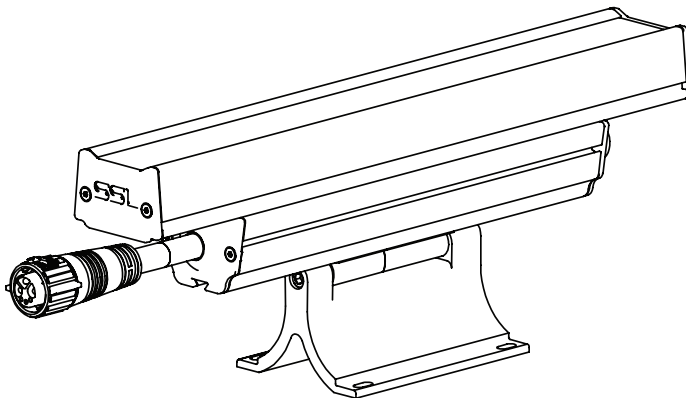
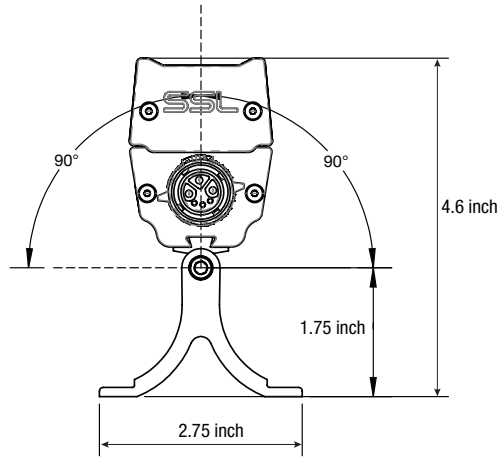
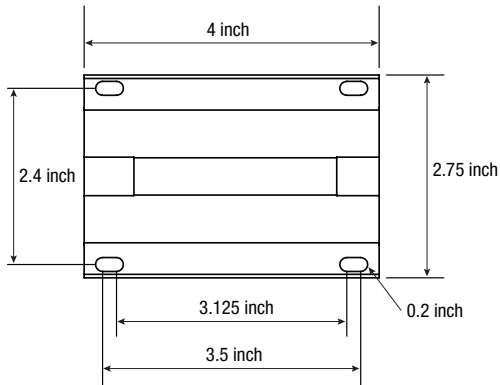
# LazerLine WET

## MOUNTING ACCESSORIES

STANDARD ADJUSTABLE BRACKET — ADBW3 (90°)	
Luminaire	Minimum Required Quantity
1 FT	1
4 FT	2



TALL BRACKET BASE — CLWFA-KIT (90°)	
Luminaire	Minimum Required Quantity
1 FT	1
4 FT	2

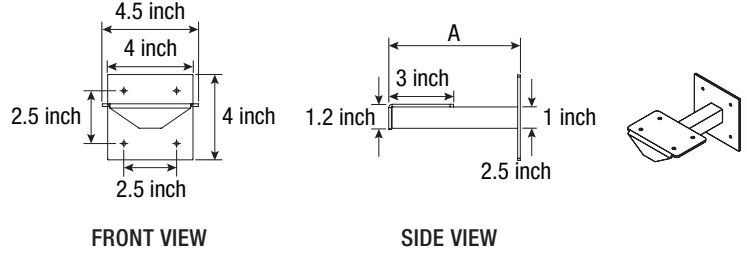


# LazerLine WET

## MOUNTING ACCESSORIES

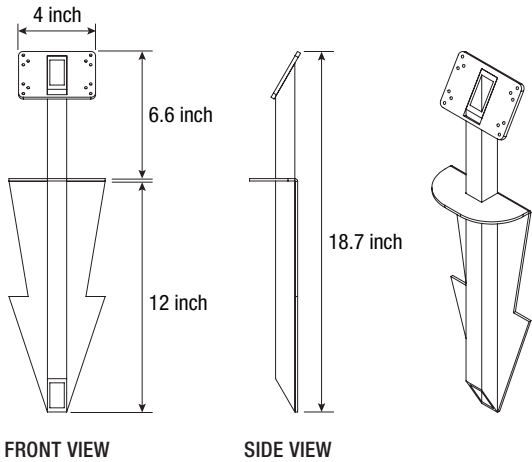
CANTILEVER ARM — CA3	
Bracket Part Number	Length (A)
CA3-6	6 inch
CA3-12	12 inch
CA3-18	18 inch

CANTILEVER ARM — CA3 (Quantity / Luminaire)	
Luminaire	Minimum Required Quantity
1 FT	1
4 FT	2



Model	(A) Arm Length	(B) Mounting Height	(C) Mounting Width	(D) Bracket Plate Length	(E) Bracket Plate Width
CA3-6	6 inch	4 inch	4 inch	3 inch	5.5 inch
CA3-12	12 inch				
CA3-18	18 inch				

LANDSCAPE SPIKE (Metal) — LS-6		
Bracket Part Number	Above Grade	Below Grade
LS-6	6.6 inch	12 inch



HEAVY DUTY LANDSCAPE SPIKE — HLS	
Bracket Part Number	Below Grade (Maximum)
HLS	17.9 inch

